

REV	DATE	DRAWN/CHKD	DESCRIPTION
A	19JUL00	GDM	SEE RECORD PRINT
B	09APR2002	GDM	UPDATE FORMAT

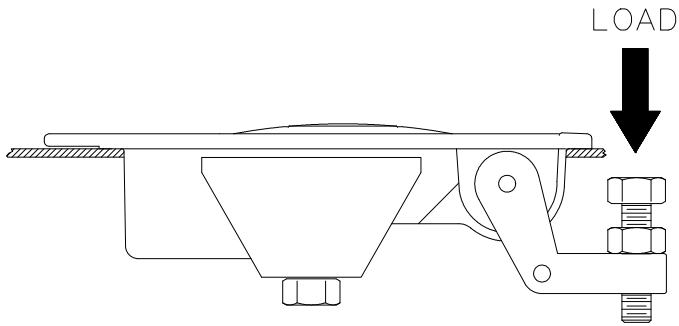


THIRD ANGLE PROJECTION

A4 PAPER SIZE

SOUTHCO PERFORMANCE GUIDELINES
 THE PERFORMANCE GUIDELINES SHOWN ON THIS PAGE ARE SUPPLIED AS A GENERAL GUIDE ONLY, AS CONDITIONS VARY WITH EACH APPLICATION AND METHOD OF INSTALLATION. STRENGTH DATA GIVEN IS FOR FAILURE OF THE PRODUCT OR FOR SUFFICIENT DEFORMATION TO MAKE PRODUCT INOPERABLE. NO SAFETY FACTOR HAS BEEN APPLIED. IT IS RECOMMENDED THAT THE USER REQUEST A PRODUCT SAMPLE FOR TESTING TO DETERMINE THE SUITABILITY OF THE PRODUCT FOR THE PURPOSE INTENDED AND USER'S PARTICULAR APPLICATION.

PART NUMBER : C5-XX-XX



AVERAGE ULTIMATE LOAD	①	1100 N (250 LBS)
MAXIMUM RECOMMENDED WORKING LOAD	②	445 N (100 LBS)
MAXIMUM RECOMMENDED MOUNTING TORQUE	③	170 N cm (15 LBS) all bracket sizes

- ① AVERAGE ULTIMATE LOAD causes failure of the product or sufficient deformation to make the product inoperable
- ② WORKING LOAD is the maximum force that the product will withstand without affecting the operation or appearance of the product.
- ③ RECOMMENDED TORQUE is the maximum force that the product will withstand without affecting the operation of the product