

030-1425 Inside Bezel & Release Lever Assembly



DESIGNED FOR:

- Remote interior release and locking applications for on or off-highway
- Light to medium duty recommended
- Use with TriMark latch/logic mechanisms

FEATURES/BENEFITS:

- Offers modern automotive styling
- Built-in lock lever for added security
- Remote mounting provides versatility and flexibility



500 Bailey Avenue
P.O. Box 350
New Hampton, Iowa 50659
United States
Tel: 641-394-3188
Fax: 641-394-2392
1-800-447-0343
www.trimarkcorp.com



TriMark Europe, Ltd.

Cedar Court
Walker Road
Bardon Hill
Coalville LE67 1TU
United Kingdom
Tel: +44 (0)1530 512460
Fax: +44 (0)1530 512461
www.trimarkeu.com



030-1425 Inside Bezel & Release Lever Assembly

AVAILABLE:

- Right or left hand configurations (right hand shown)
- Cutout for power door lock
- Non-locking bezel also available
- As a complete assembly or separate components for application flexibility

MATERIAL:

- Bezel and release lever die cast zinc alloy
- Lock lever -- engineered plastic
- Stamped steel mounting brackets

FINISH:

- Bezel: Black powder coated
- Release lever: Black powder coated or chrome plate
- Lock lever: Black or chrome finish
- Zinc plated clear chromate steel components

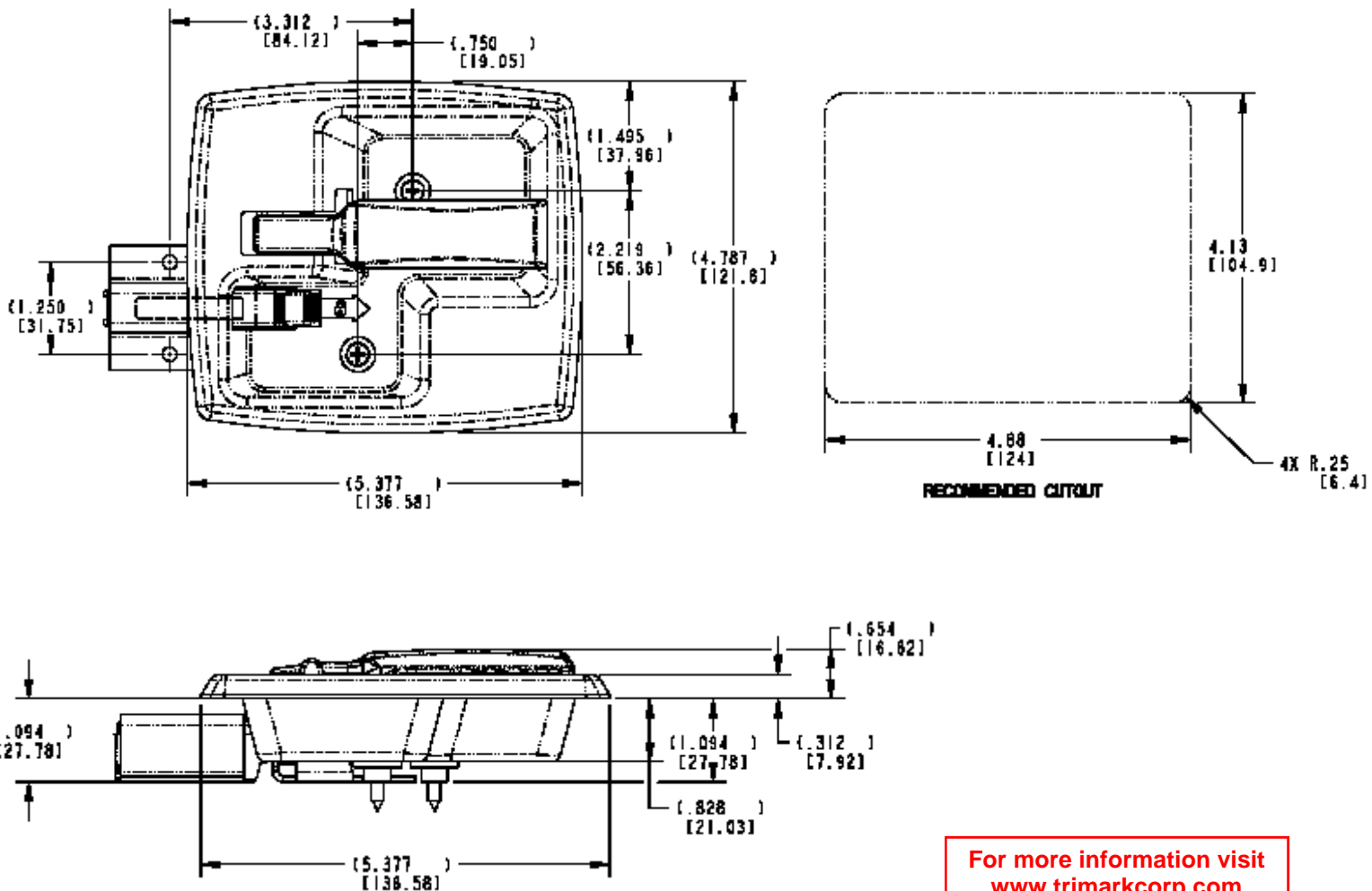
INSTALLATION:

- Fasteners supplied for mounting inside bezel

Meets FMVSS 206 locking requirements and may be used in FMVSS 206 application pending TriMark application approval.

Patent Pending

Individual part dimensions are for reference only. Refer to individual part drawings for complete dimensions, specifications, and installation procedures. Engineering assistance and application drawings are available.



For more information visit
www.trimarkcorp.com