

030-1100 2-Point Paddle Handle



DESIGNED FOR:

- Cross bed tool boxes
- Truck topper and lift gate doors
- Most storage, compartment, and access doors with single or 2-point latch mechanism

FEATURES/BENEFITS:

- Water resistant
- Sleek automotive styling
- Paddle is rigid when locked
- Single point or two-point actuation
- Flush mount -- contoured surface
- Corrosion resistant
- Non-handed design



500 Bailey Avenue
P.O. Box 350
New Hampton, Iowa 50659
United States
Tel: 641-394-3188
Fax: 641-394-2392
1-800-447-0343
www.trimarkcorp.com



TriMark Europe, Ltd.
Cedar Court
Walker Road
Bardon Hill
Coalville LE67 1TU
United Kingdom
Tel: +44 (0)1530 512460
Fax: +44 (0)1530 512461
www.trimarkeu.com



030-1100 2-Point Paddle Handle

AVAILABLE:

- Non-locking or locking with shuttered keyway
- 2-point actuation
- Keyed alike
- Keyed random. 50 key codes -- TM901-TM950
- With rod collars

FINISH:

- Black powder coated

MATERIAL:

- Housing and paddle: die cast zinc alloy
- All steel parts (axles, pivot arm, pivot plate, lock cam): zinc plate clear chromate for corrosion resistance

USE WITH:

- Please refer to our website for related products that are compatible for use with this product

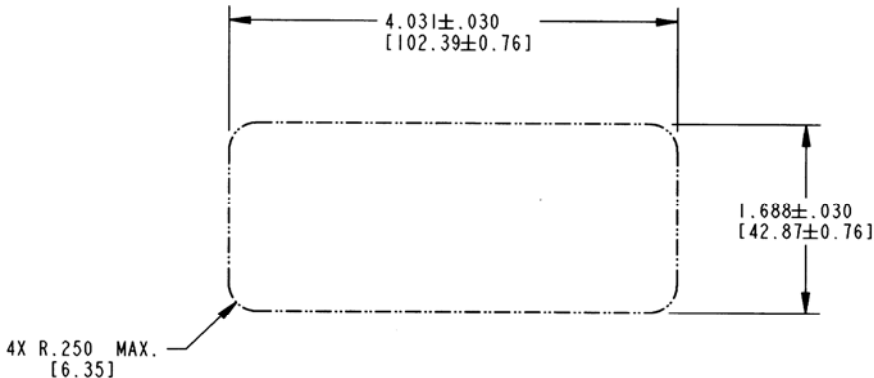
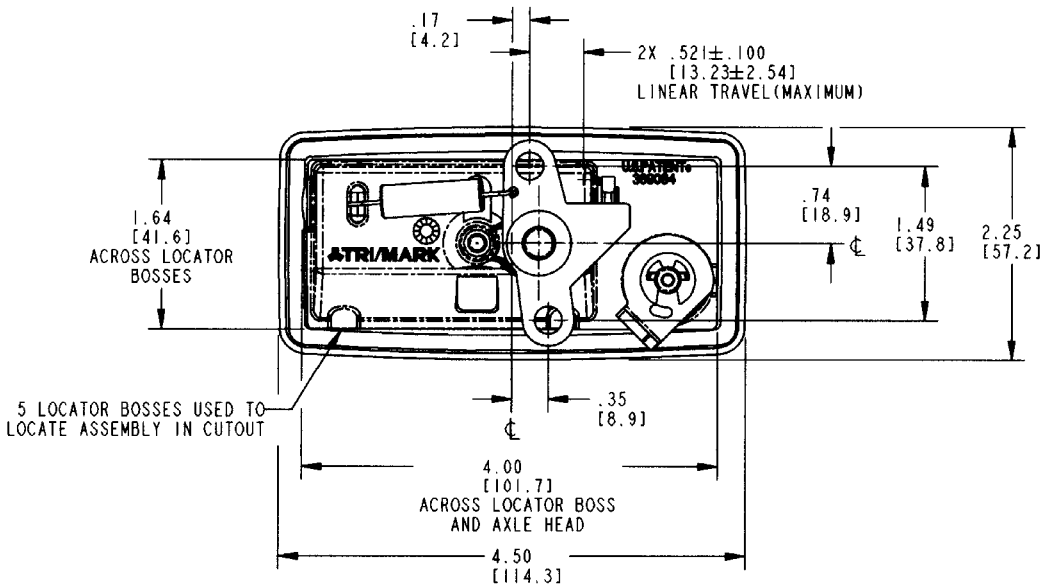
INSTALLATION:

- Supplied with gasket already applied under recess in housing flange for simple, clean installation
- Single point #10-24 UNC mounting fastener
- Optional mounting brackets (please inquire)

Individual part dimensions are for reference only. Refer to individual part drawings for complete dimensions, specifications, and installation procedures. Engineering assistance and application drawings are available.

Design Patent No. D369,084

For more information visit www.trimarkcorp.com



RECOMMENDED CUTOUT DETAIL