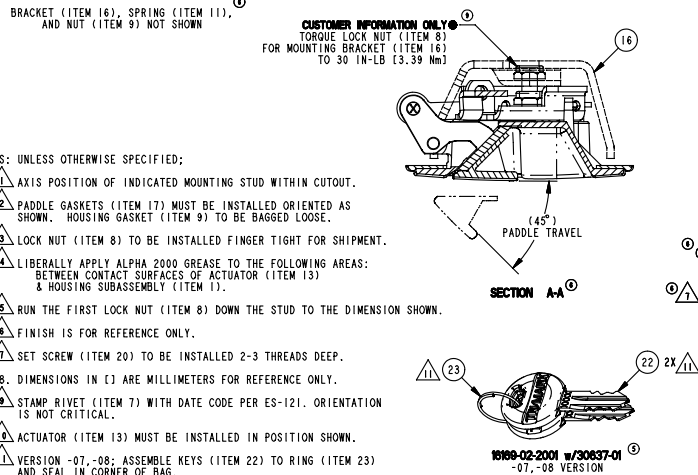
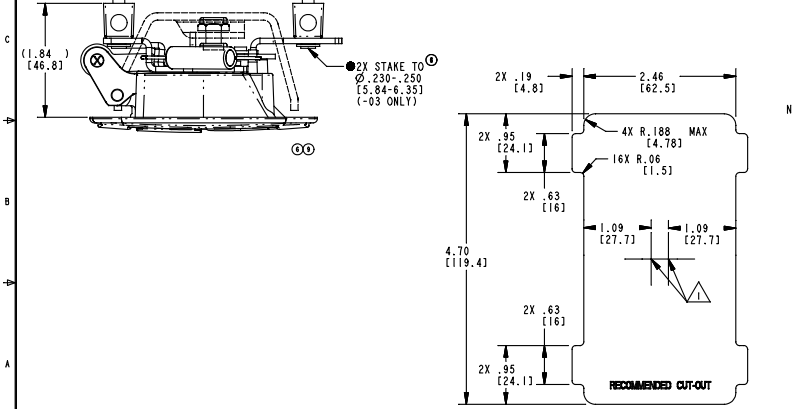
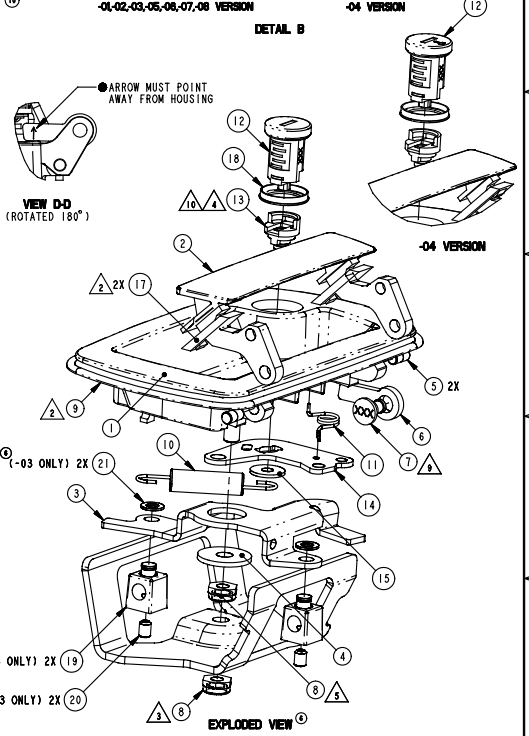
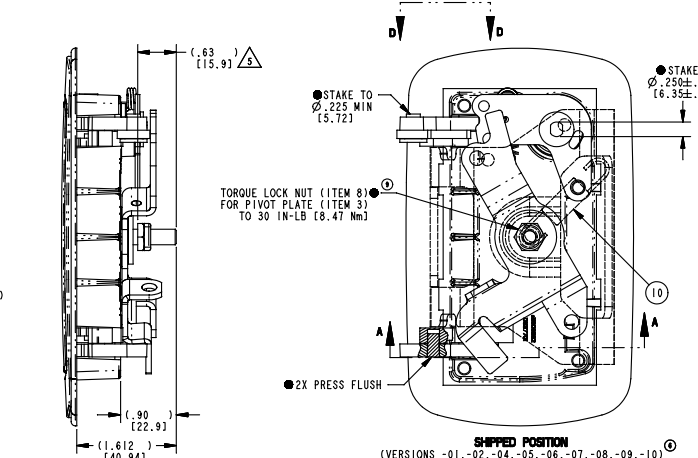
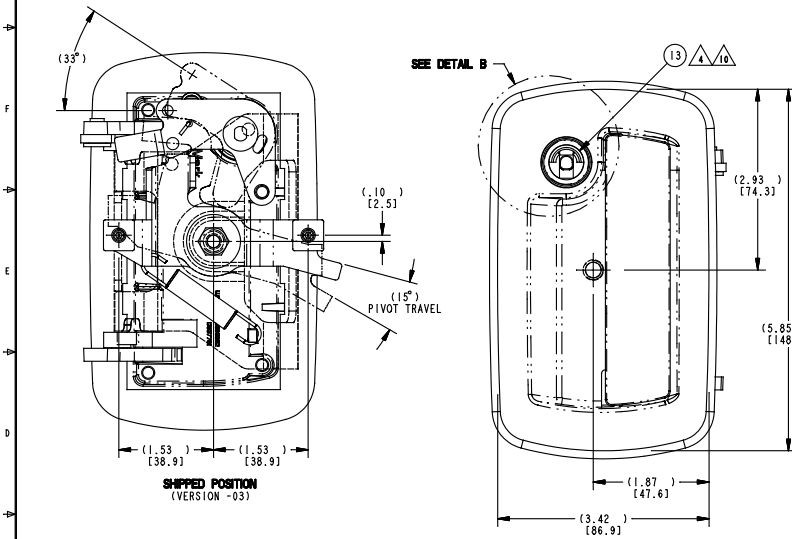
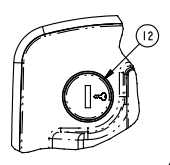
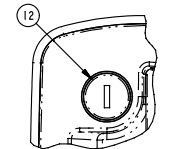
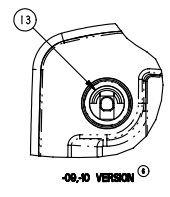


PART NUMBER DESCRIPTION	ITEM 1 SUBASSY (QTY)	ITEM 2 PADDLE (QTY)	ITEM 3 PLATE (QTY)	ITEM 4 WASHER (QTY)	ITEM 5 FW (QTY)	ITEM 6 ARM (QTY)	ITEM 7 PIVOT (QTY)	ITEM 8 NUT (QTY)	ITEM 9 GASKET (QTY)	ITEM 10 SPRING (QTY)	ITEM 11 SPRING (QTY)	ITEM 12 LK CYL (QTY)	ITEM 13 ACTUATOR (QTY)	ITEM 14 LK CAM (QTY)	ITEM 15 WASHER (QTY)	ITEM 16 BRACKET (QTY)	ITEM 17 GASKET (QTY)	ITEM 18 SEAL (QTY)	ITEM 19 COLLAR (QTY)	ITEM 20 SCREW (QTY)	ITEM 21 WASHER (QTY)	ITEM 22 KEY (QTY)	ITEM 23 RING (QTY)	FINISH	KEYS SUPPLIED YES/NO (QTY)	
22875-01 030-1450_CNMC_LH_2PT_SHTSTUD	20596-01 (1)	20498-01 (1)										31684-01 (1)												PLATE, COPPER-NICKEL-NICKEL-CHROME		
22875-02 030-1450_LGB_LH_2PT_SHTSTUD	20596-02 (1)	20498-02 (1)										16014-02-1022 (1)								N/A	N/A	N/A			PAINT, BLACK, LOW GLOSS	
22875-03 030-1450_CNMC_LH_2PT_SHTSTUD_ZCLR	20596-01 (1)	20498-01 (1)										16014-02-2001 (1)								12436-09 (2)	81574-18 (2)	13152-01 (2)			PLATE, COPPER-NICKEL-NICKEL-CHROME	NO
22875-04 030-1450_LGB_LH_2PT_SHTSTUD		20498-02 (1)										16014-02-9002 (1)													PAINT, BLACK, LOW GLOSS	
22875-05 030-1450_LGB_LH_2PT_SHTSTUD		20498-01 (1)	14403-02 (1)	80999-16 (1)	80913-15 (1)	11712-01 (1)	81293-16 (1)	81002-15 (2)	20420-00 (1)	81287-57 (1)	80719-57 (1)	31684-01 (1)	16022-01 (1)	17295-01 (1)	81773-15 (1)	81318-16 (1)	20420-01 (2)								HSS: PAINT, BLACK, LOW GLOSS PDL: PLATE, COPPER-NICKEL-NICKEL-CHROME	NO
22875-07 030-1450_LGB_LH_2PT_SHTSTUD		20498-02 (1)										16014-02-2001 (1)													PAINT, BLACK, LOW GLOSS	YES (2)
22875-08 030-1450_LGB/CNMC_LH_2PT_SHTSTUD	20596-02 (1)	20498-01 (1)																							HSS: PAINT, BLACK, LOW GLOSS PDL: PLATE, COPPER-NICKEL-NICKEL-CHROME	NO
22875-09 030-1450_CNMC_LH_2PT_SHTSTUD	20596-01 (1)	20498-01 (1)																							PLATE, COPPER-NICKEL-NICKEL-CHROME	NO
22875-10 030-1450_LGB/CNMC_LH_2PT_SHTSTUD	20596-02 (1)	20498-01 (1)																							HSS: PAINT, BLACK, LOW GLOSS PDL: PLATE, COPPER-NICKEL-NICKEL-CHROME	NO

REV	DATE	BY	DESCRIPTION
6	3/74/13	MS	ADDED -09, -10 VERSIONS, VIEW UPDATED
7	3/77/13	MS	-07 (ITEM 12): 31684-01 WAS 16014-02-2001
8	3/78/13	MS	-01 (ITEM 12): 31684-01 WAS 16014-02-2001
9	3/81/13	MS	ITEM 18 (-09, -10 VERSION): N/A WAS 16025-01. REMOVED CUSTOMER FINAL ASSEMBLY VIEW TITLE. MOVED TORQUE CALLOUTS TO OTHER VIEWS. REMOVED SKETCHED LINE DIVIDING VIEWS.
10	3/81/14	MS	STAKED DIM: Ø. 250±.006 WAS Ø. 235±.005.



- NOTES: UNLESS OTHERWISE SPECIFIED;
- ▲ AXIS POSITION OF INDICATED MOUNTING STUD WITHIN CUTOUT.
  - ▲ PADDLE GASKETS (ITEM 17) MUST BE INSTALLED ORIENTED AS SHOWN. HOUSING GASKET (ITEM 9) TO BE BAGGED LOOSE.
  - ▲ LOCK NUT (ITEM 8) TO BE INSTALLED FINGER TIGHT FOR SHIPMENT.
  - ▲ LIBERALLY APPLY ALPHA 2000 GREASE TO THE FOLLOWING AREAS: BETWEEN CONTACT SURFACES OF ACTUATOR (ITEM 13) & HOUSING SUBASSEMBLY (ITEM 1).
  - ▲ RUN THE FIRST LOCK NUT (ITEM 8) DOWN THE STUD TO THE DIMENSION SHOWN.
  - ▲ FINISH IS FOR REFERENCE ONLY.
  - ▲ SET SCREW (ITEM 20) TO BE INSTALLED 2-3 THREADS DEEP.
  - 8. DIMENSIONS IN ( ) ARE MILLIMETERS FOR REFERENCE ONLY.
  - ▲ STAMP RIVET (ITEM 7) WITH DATE CODE PER ES-121. ORIENTATION IS NOT CRITICAL.
  - ▲ ACTUATOR (ITEM 13) MUST BE INSTALLED IN POSITION SHOWN.
  - ▲ VERSION -07, -08; ASSEMBLE KEYS (ITEM 22) TO RING (ITEM 23) AND SEAL IN CORNER OF BAG.

INDICATED REQUIRED ASSEMBLY INFORMATION: SEE THE END USER MANUAL FOR THE RELEVANT VERSION OF PART NUMBER. USE ALL DIMENSIONS UNLESS OTHERWISE SPECIFIED. (BASE 174.98-1995, REV. 2.4.13)		<b>TriMark</b> 500 Bailey Avenue P. O. Box 308 New Hampton, Iowa 50659 U.S.A. Tel: 401-398-5108 Fax: 401-398-2392	
DESIGNED BY: GDE CHECKED BY: CRZ DATE: 08/21/06 01/22/07 03087 C33 (030-1450)	DRAWN BY: GDE CHECKED BY: CRZ DATE: 08/21/06 01/22/07 03087 C33 (030-1450)	CUSTOMER PART NUMBER: SEE BOM	DESCRIPTION: SEE BOM
PART NUMBER: 22875-01 QUANTITY: 1 (1.7 LB) SURFACE AREA: 1.0 PART NUMBER: 22675	PART NUMBER: 22875-01 QUANTITY: 1 (1.7 LB) SURFACE AREA: 1.0 PART NUMBER: 22675	PART NUMBER: 22875-01 QUANTITY: 1 (1.7 LB) SURFACE AREA: 1.0 PART NUMBER: 22675	PART NUMBER: 22875-01 QUANTITY: 1 (1.7 LB) SURFACE AREA: 1.0 PART NUMBER: 22675