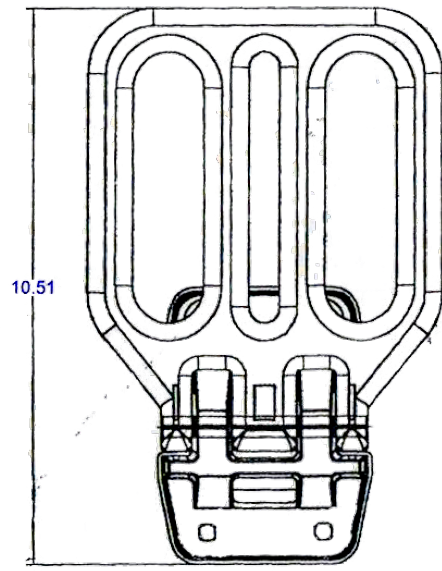
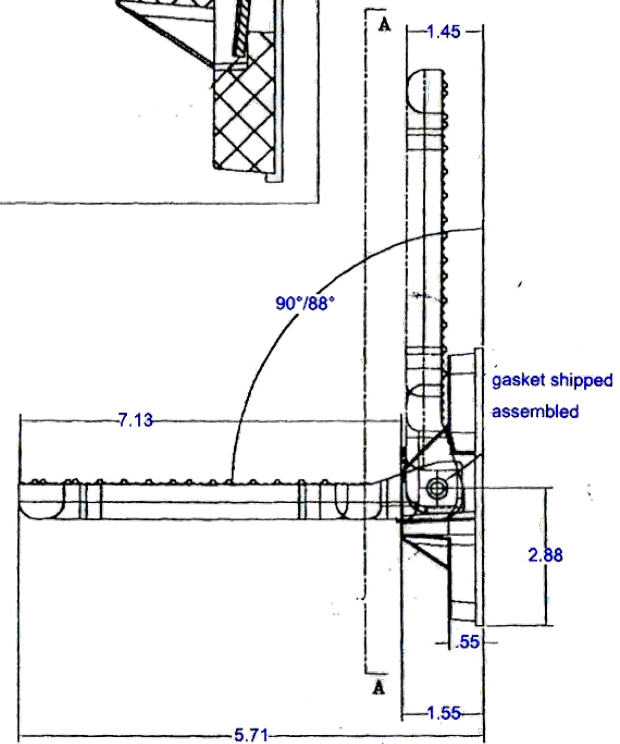
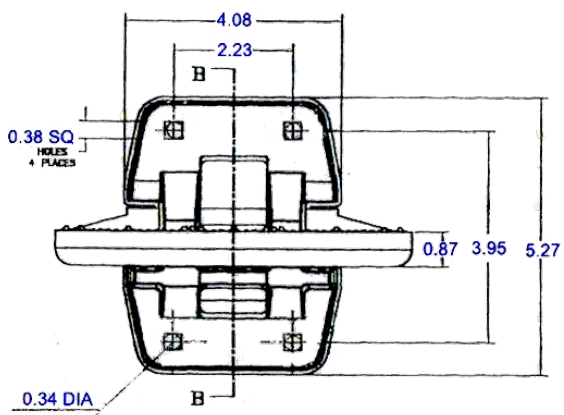


Charge de travail : 500 lbs. / Working load : 500 lbs.
 Ne pas mettre plus de 2500 lbs. / Do not use over 2500 lbs.



NUMERO DE PIÈCE/PART NUMBER		DESCRIPTION		
901-201		Marchepied / Folding step		
DESSIN PAR/DRAWING BY		MATÉRIEL/MATERIAL	FINI/FINISH	
Jimexs Inc.		Acier zinc / Steel zinc plated	Chrome	
JIMEXS.COM / INFO@JIMEXS.COM		DATE	FEUILLE/SHEET	ÉCHELLE/SCALE
		2015-03-30	1/1	NAE
				PROJECTIONS

