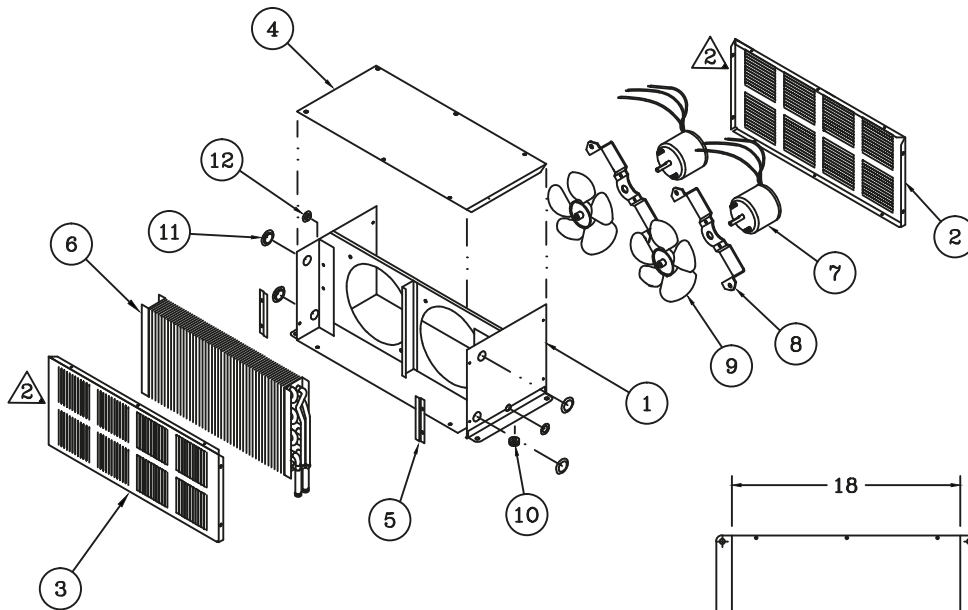


TECHNICAL DRAWING / DESSIN TECHNIQUE

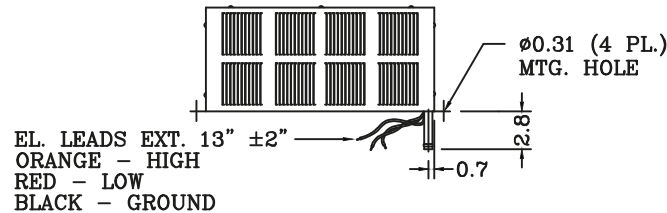
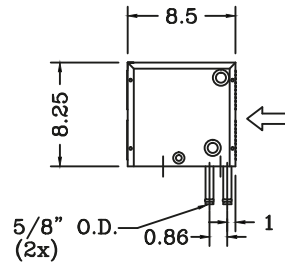
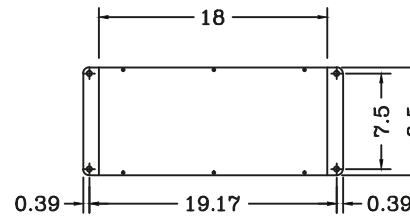


SPECIFICATIONS:

HEATING	-42000 BTU/H (AT 150°F T.D)
AIRFLOW	-500 CFM
CURRENT	-LOW SPEED 6.4 AMPS @13.5V
	-HIGH SPEED 12.2 AMPS @13.5V
WEIGHT	-18.5 LBS.

2-SPEED OPERATED MOTORS

CASING MADE OF 18GA. CRS. AND FINISHED IN BLACK SEMI-GLOSS EPOXY POWDER COAT.



JIMEXS

HARDWARE

1 866 447-5656 / INFO@JIMEXS.COM

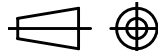
WWW.JIMEXS-HARDWARE.COM

805-529

Heater 12V - 11.6 Amp
 Chaufferette 12V - 11.6 Amp

2022-03-01

PROJECTIONS



DIMENSIONS
 SPECS

19,17"Lo x 7,50"La x 8,25"H
 42,000 BTU - 500CFM
 Bottom connection / Tuyau en dessous