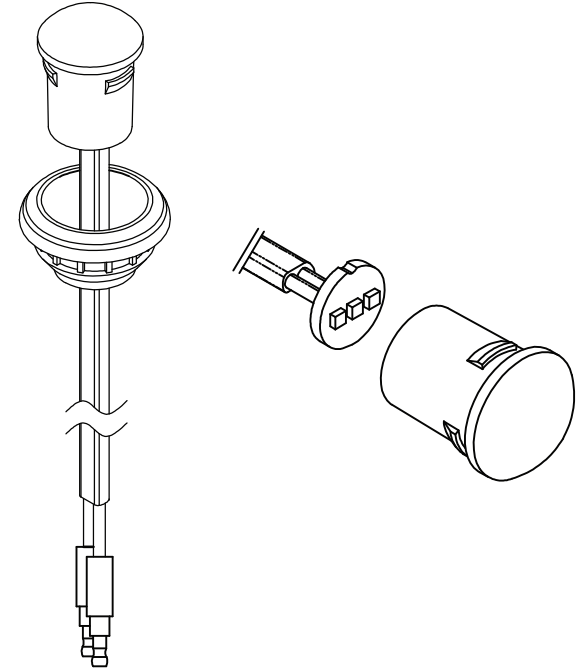
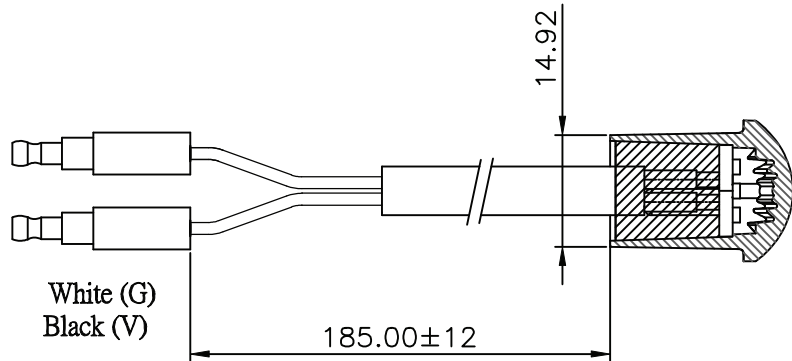
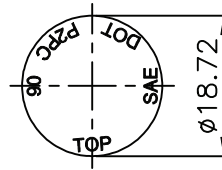
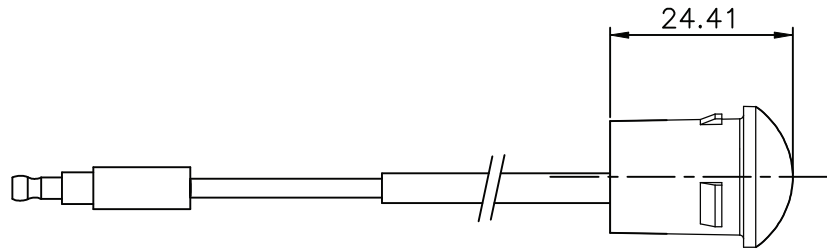
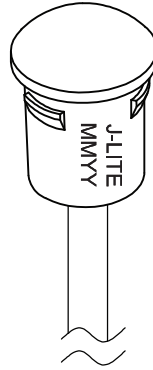


**NOTE:**

1. OPERATING VOLTAGE : DC 9~16v  
DESIGN VOLTAGE : DC 14V
2. PHOTOMETRIC REGULATIONS :  
[P2/PC] SAE J592e



<b>General Tolerance</b> Unless Spec. 0~3 ±0.05 3~6 ±0.10 6~30 ±0.15 30~120 ±0.25 120~400 ±0.40 OVER400 ±0.60 ANGLE ±1.0°	<b>Unit</b> mm	<b>Part number</b> 701-366
	<b>Scale</b> F	
	<b>Viewpoint</b>	- 3 green LED / 12V - Black EPDM grommet