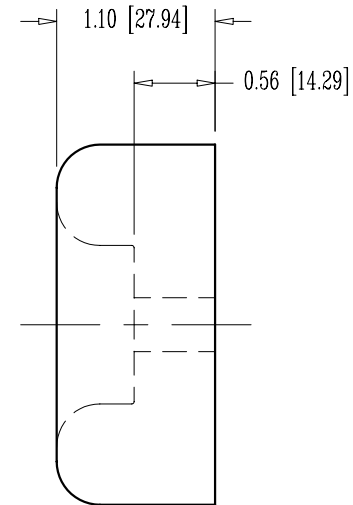
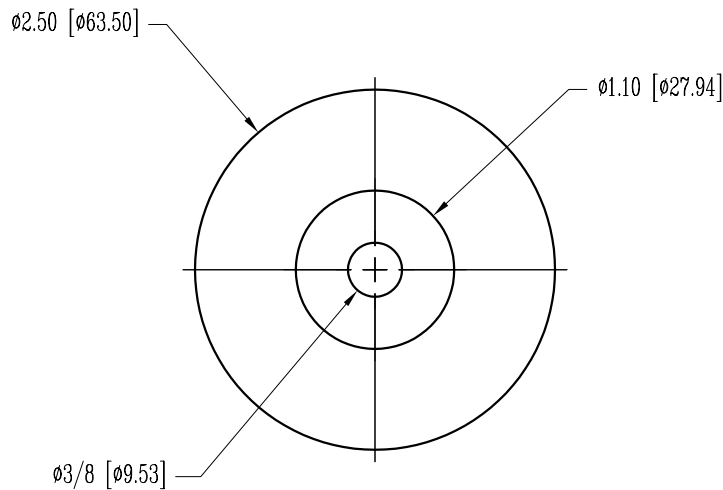
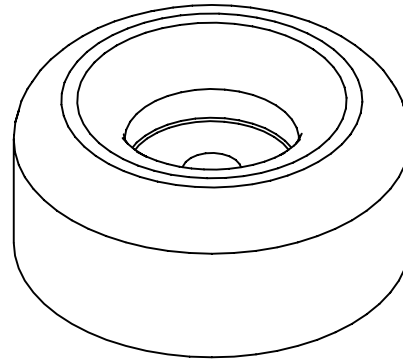


TECHNICAL DRAWING / DESSIN TECHNIQUE



JIMEXS
HARDWARE

1 866 447-5656 / INFO@JIMEXS.COM

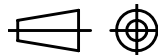
WWW.JIMEXS-HARDWARE.COM

607-341

Pare-chocs
Bumper

2022-02-08

PROJECTIONS



DIMENSIONS

2-1/2" dia. ext. x 1" H x trou 3/8" /

2-1/2" ext. dia. x 1" H x hole 3/8"

MATERIAL / MATÉRIEL

Caoutchouc / Rubber