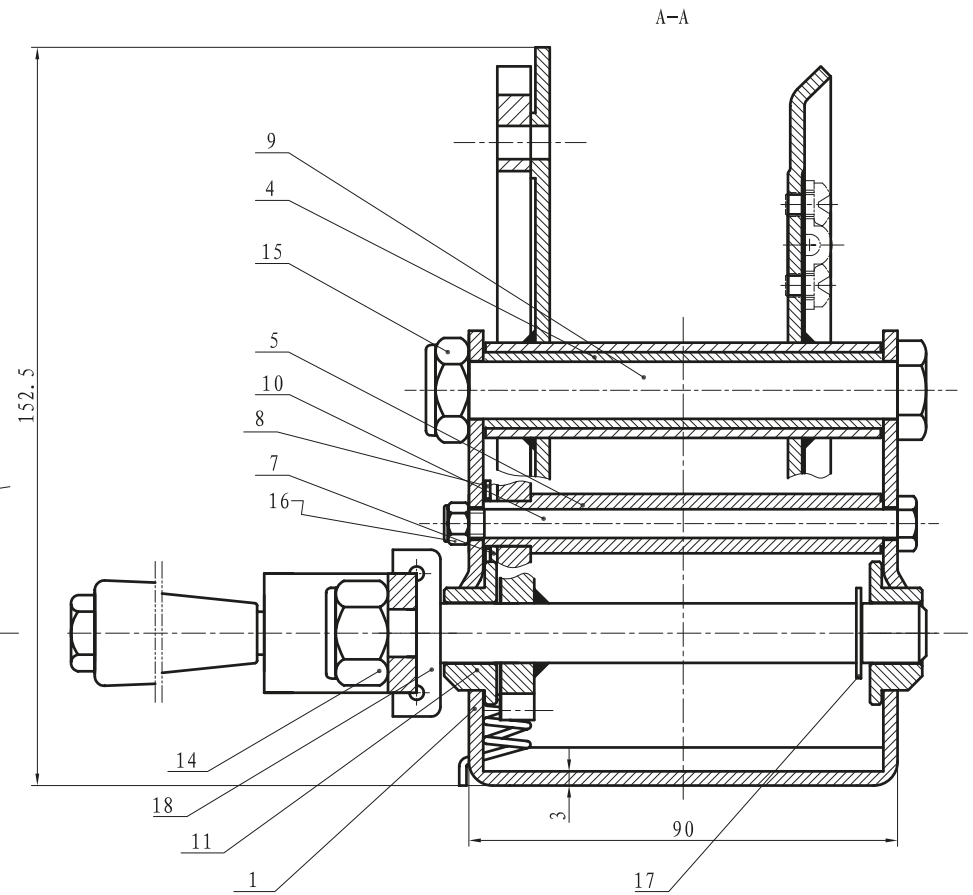
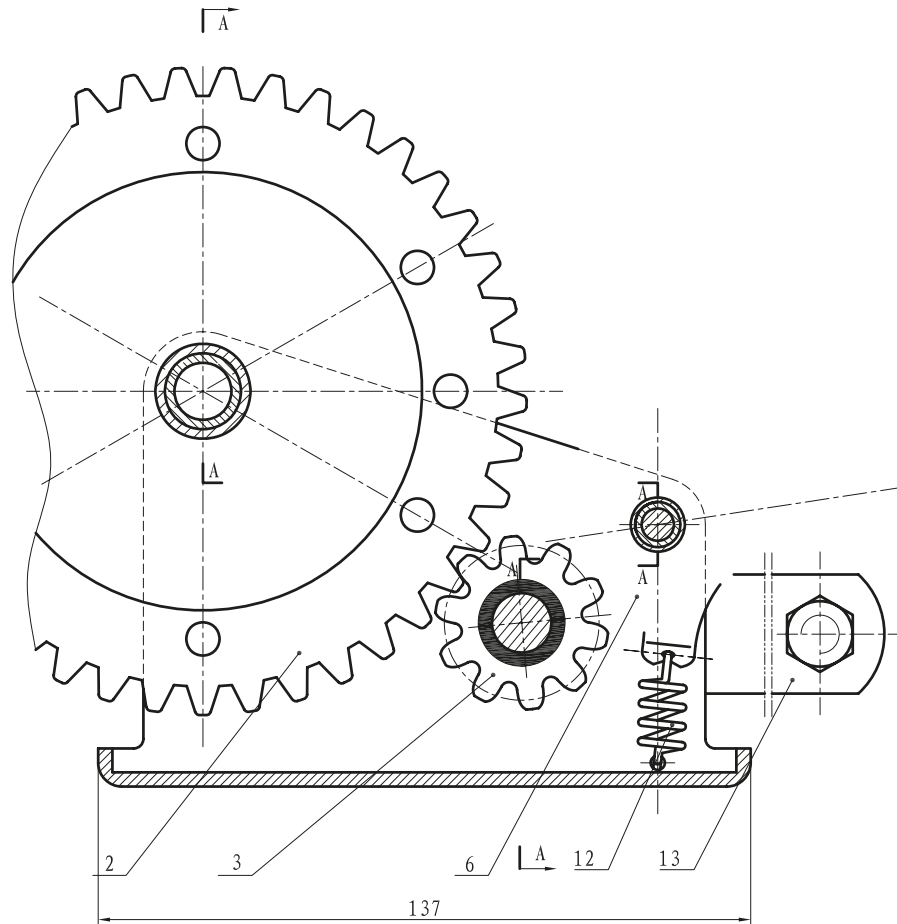


TECHNICAL DRAWING / DESSIN TECHNIQUE



JIMEXS
HARDWARE

1 866 447-5656 / INFO@JIMEXS.COM

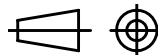
WWW.JIMEXS-HARDWARE.COM

407-105

Treuil avec courroie et crochet
Winch with strap and hook

2022-01-26

PROJECTIONS



DIMENSIONS

7/32" x 56' - 4.1:1

MATERIAL / MATÉRIEL Acier plaqué zinc / Steel zinc plated

SPECS

1000 lbs