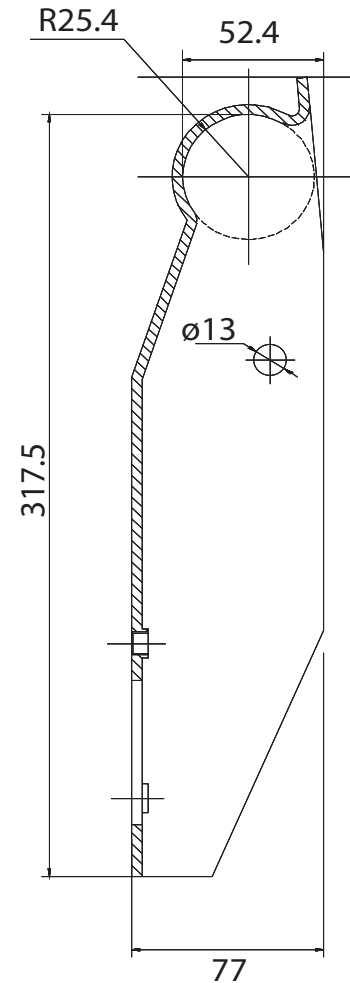
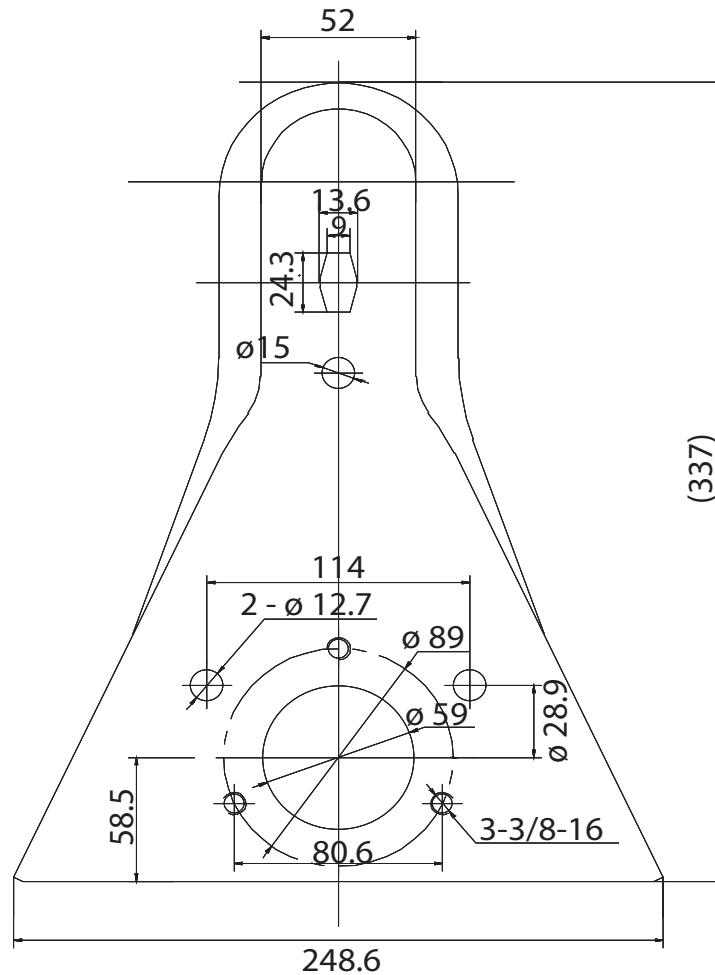


TECHNICAL DRAWING / DESSIN TECHNIQUE



JIMEXS
HARDWARE

1 866 447-5656 / INFO@JIMEXS.COM
 WWW.JIMEXS.COM

400-202

Trailer coupler / Main d'accouplement
 A-frame / Cadre en A
 Oily / Huileux

2021-09-22

DIMENSIONS
 SPECS
 WLL

Ball / Boule 2"
 SAE Class III / SAE Classe III
 5000lb