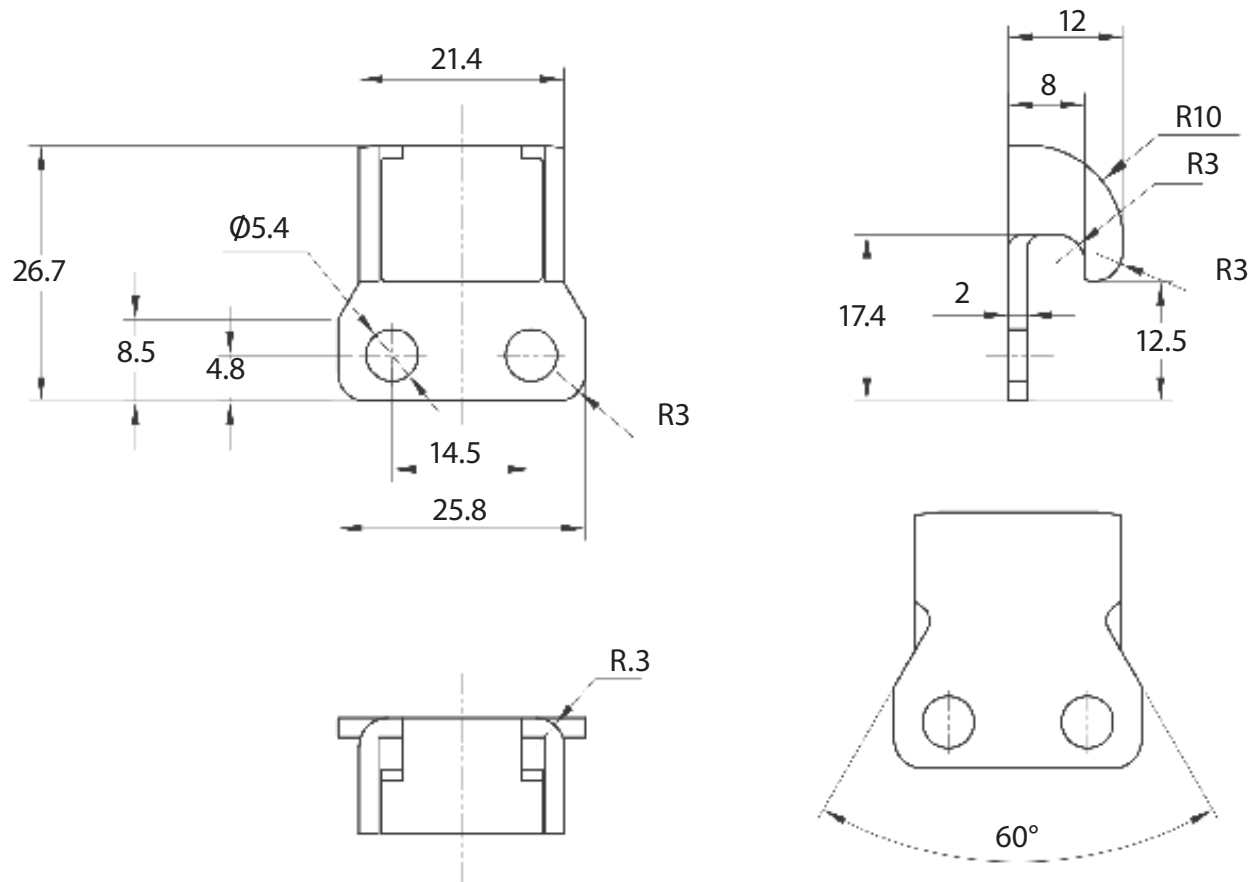


# TECHNICAL DRAWING / DESSIN TECHNIQUE



**JIMEXS**  
**HARDWARE**

1 866 447-5656 / INFO@JIMEXS.COM

WWW.JIMEXS-HARDWARE.COM

241-451

Stirker  
Gâche

2022-01-06

PROJECTIONS



MATERIAL/MATÉRIEL

Steel zinc plated /  
Acier plaqué zinc