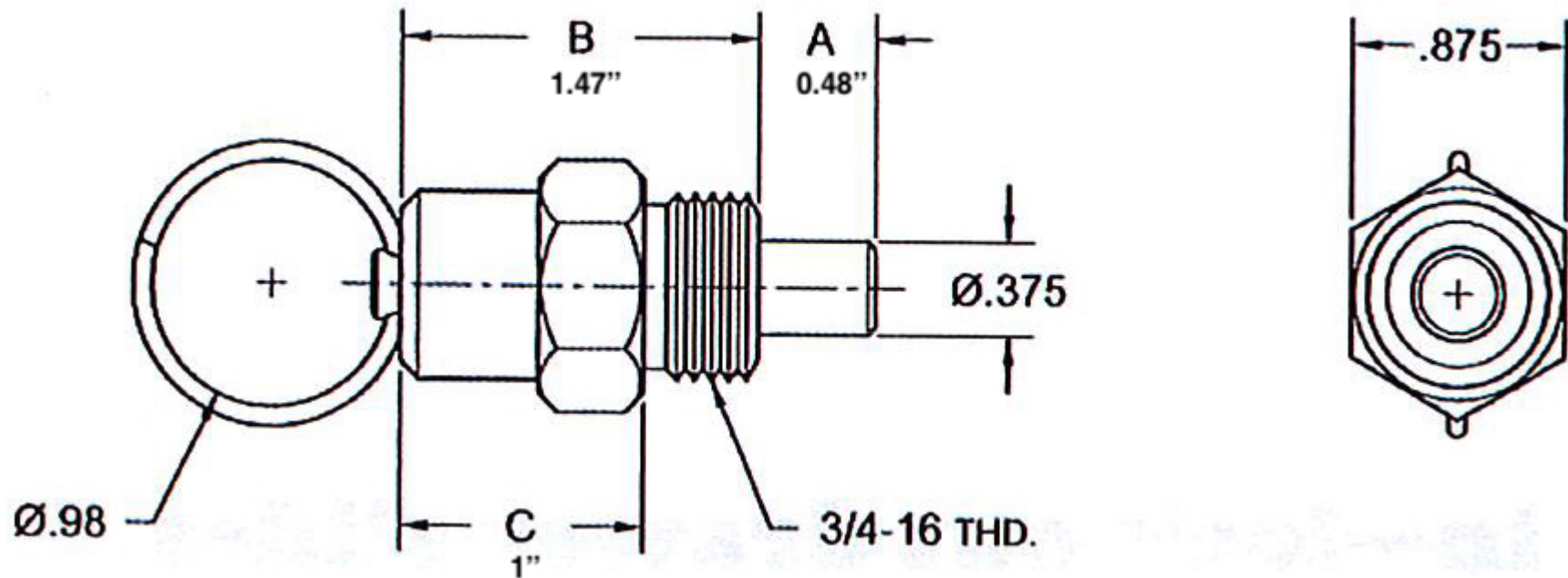


TECHNICAL DRAWING / DESSIN TECHNIQUE



JIMEXS
HARDWARE

1 866 447-5656 / INFO@JIMEXS.COM

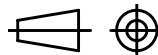
WWW.JIMEXS-HARDWARE.COM

240-401

Loquet actionné par ressort
Spring loaded pull action pin latch

2022-01-26

PROJECTIONS



DIMENSIONS

MATERIAL / MATÉRIEL

Pin dia. 0.375"

Aluminium

Pin en acier inoxydable /

Stainless steel pin