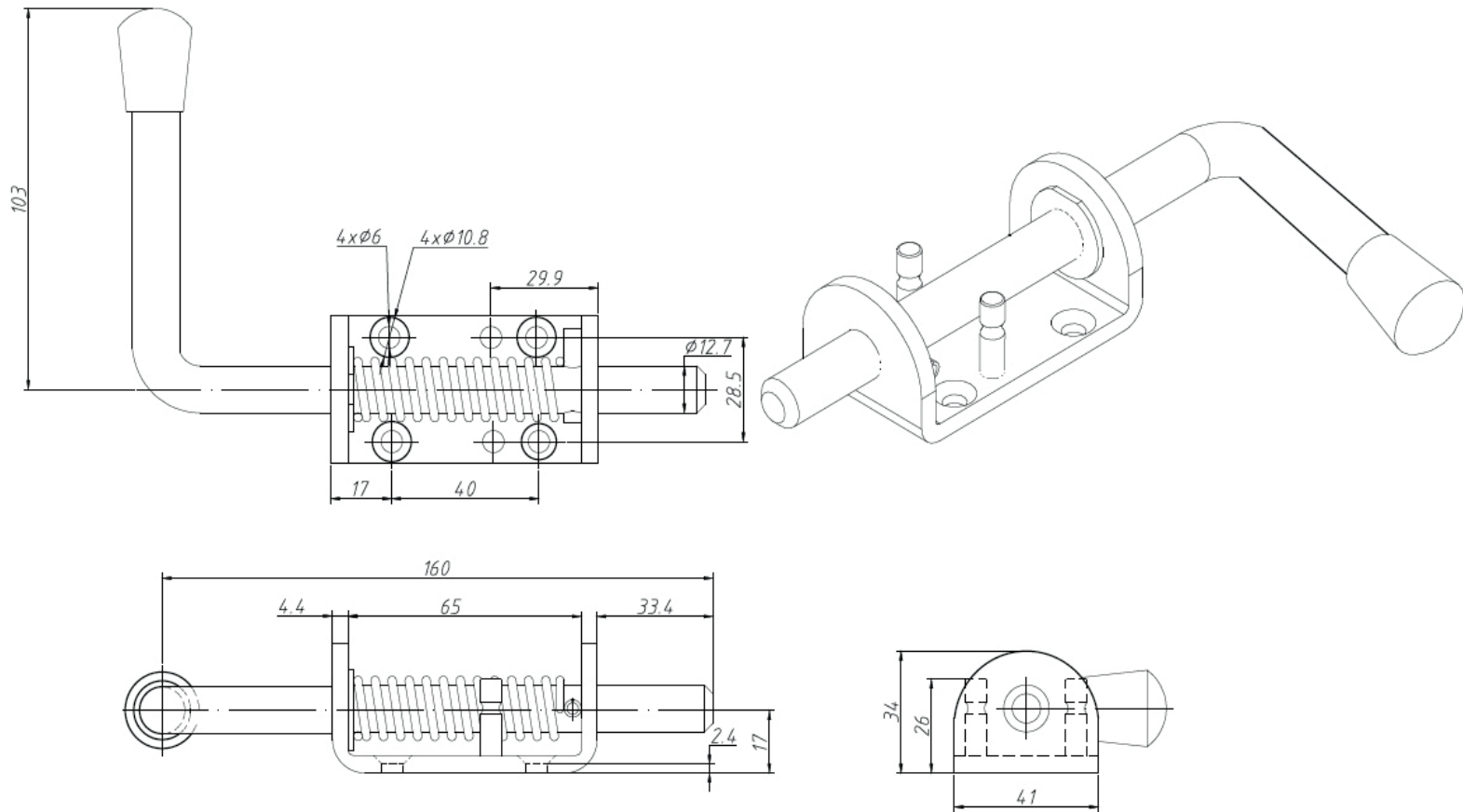


# TECHNICAL DRAWING / DESSIN TECHNIQUE



**JIMEXS**  
**HARDWARE**

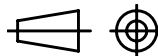
1 866 447-5656 / INFO@JIMEXS.COM

WWW.JIMEXS-HARDWARE.COM

240-106

Spring latch bolt  
 Verrou à ressort

PROJECTIONS



MATERIAL/MATÉRIEL

Steel Zinc plated  
 / Acier plaqué zinc