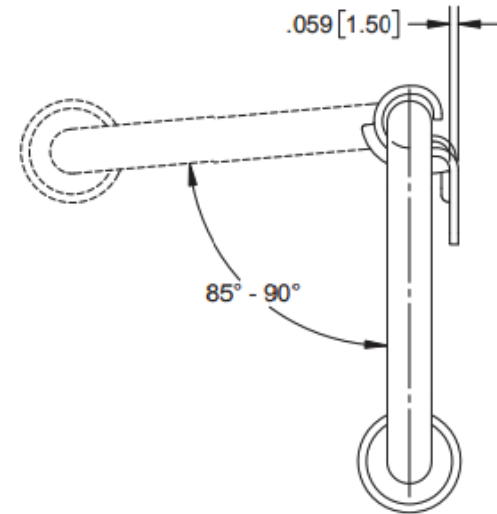
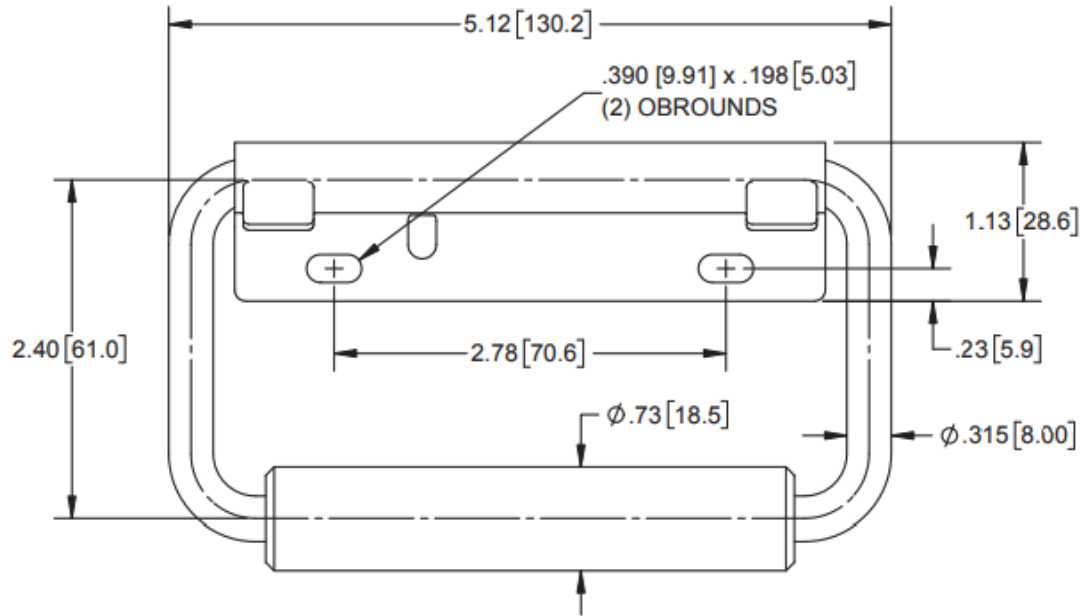


# TECHNICAL DRAWING / DESSIN TECHNIQUE



**JIMEXS**  
**HARDWARE**

1 866 447-5656 / INFO@JIMEXS.COM

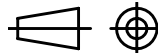
WWW.JIMEXS-HARDWARE.COM

229-123

Poignée de coffre à ressort  
Spring Loaded Chest Handle

2022-01-25

PROJECTIONS



DIMENSIONS 5" x 2.4"

MATERIAL / MATÉRIEL Steel zinc plated / Acier plaqué zinc