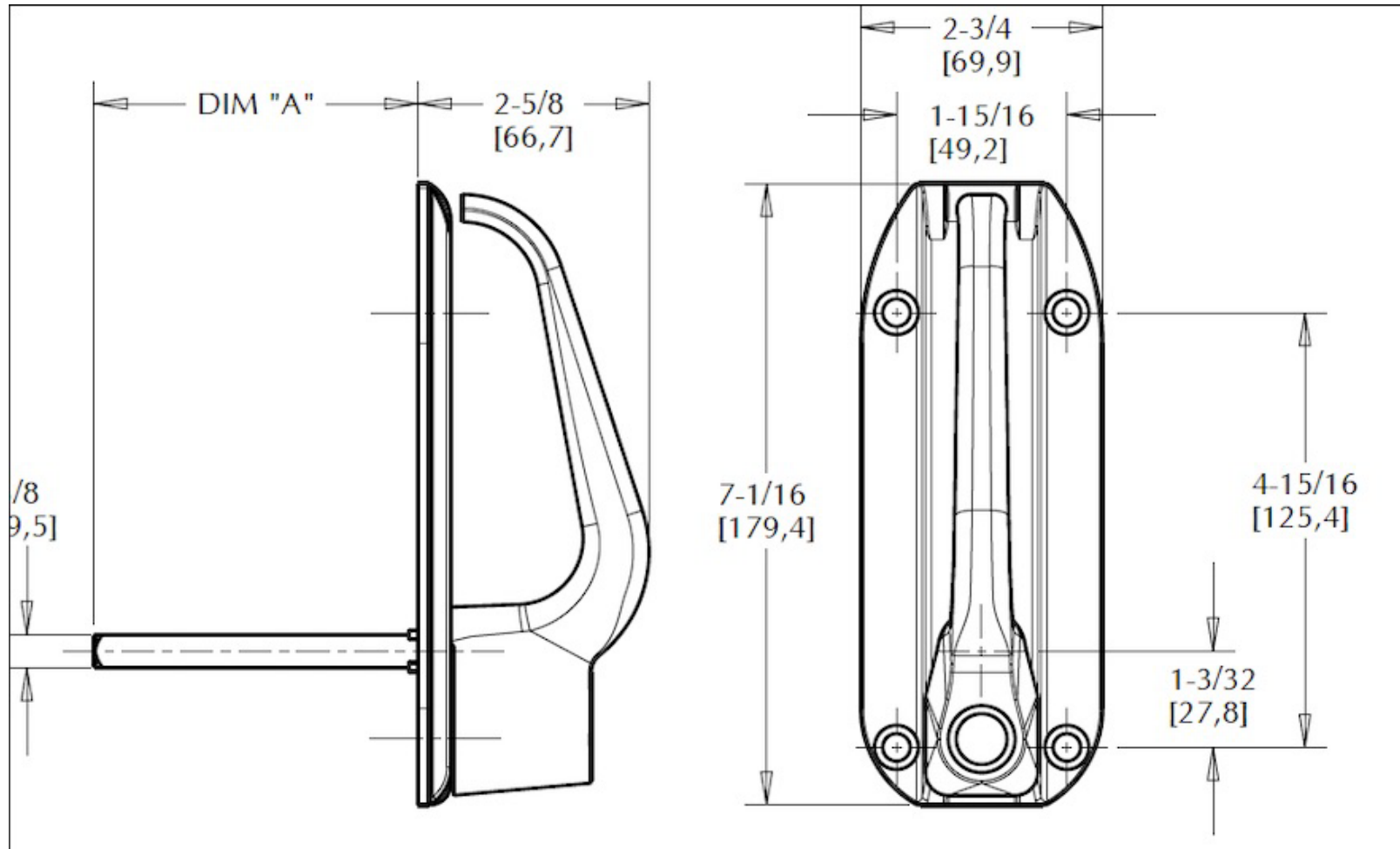


TECHNICAL DRAWING / DESSIN TECHNIQUE



JIMEXS
HARDWARE

1 866 447-5656 / INFO@JIMEXS.COM

WWW.JIMEXS-HARDWARE.COM

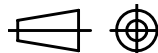
228-511

KIT - Poignée 228-501 + barillet 228-911

KIT - Handle 228-501 + lock 228-911

2022-01-25

PROJECTIONS



DIMENSIONS

$3\frac{3}{4}$ " - Shaft $\frac{3}{8}$ " Pin $\frac{3}{8}$ "

MATERIAL / MATÉRIEL Chrome