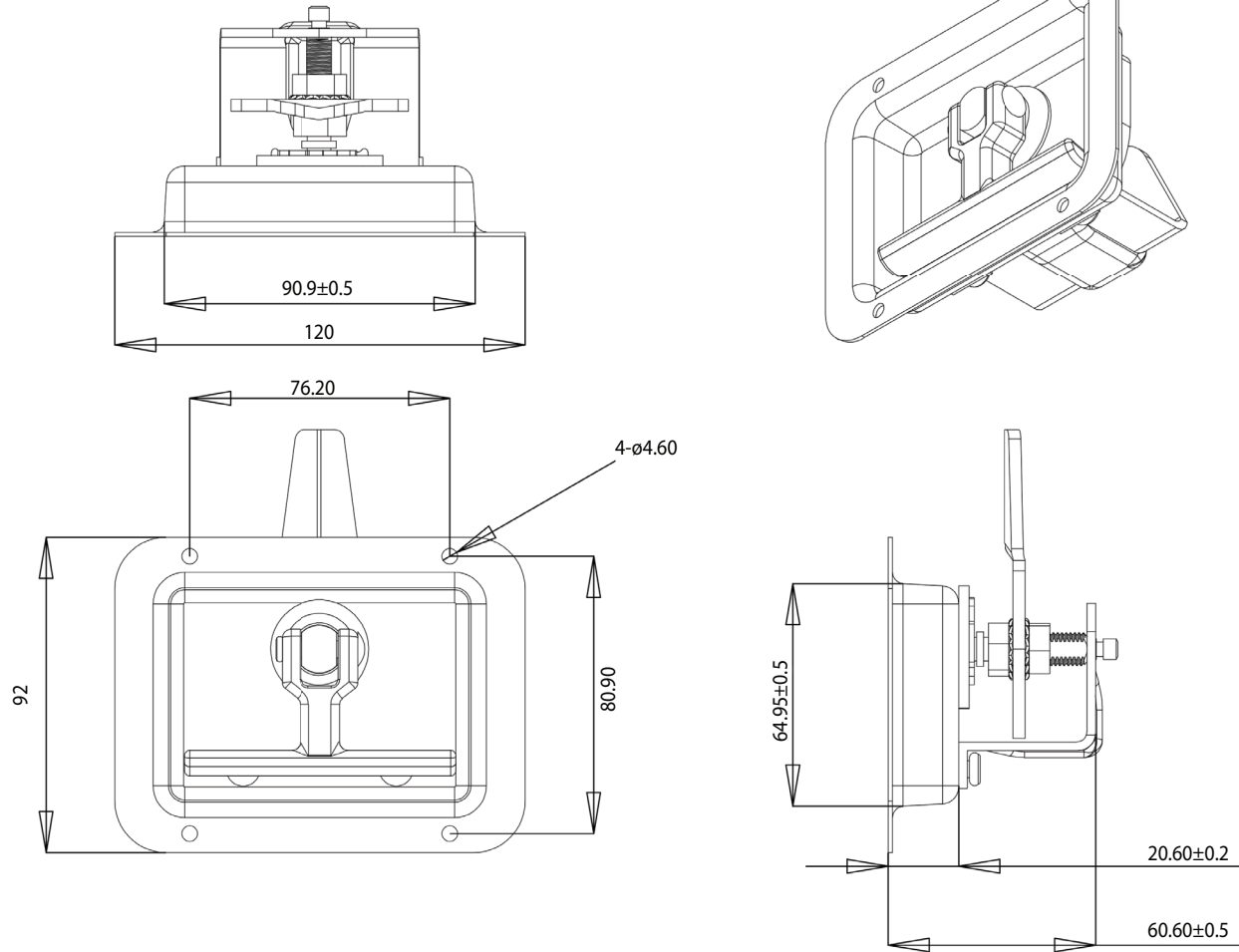


TECHNICAL DRAWING / DESSIN TECHNIQUE



JIMEXS
HARDWARE

1 866 447-5656 / INFO@JIMEXS.COM
WWW.JIMEXS.COM

226-986

Recessed T-handle - Holes 0.20"
Serrure encastrée en T - Trous 0.20"

05-12-2018

MATERIALS / MATÉRIAUX 304 Stainless steel / Acier inoxydable 304