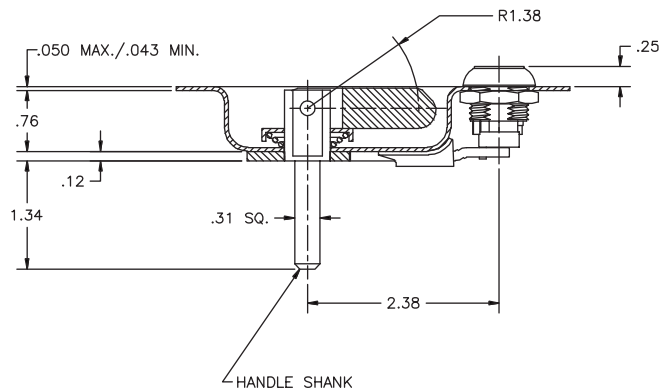


VIEW SHOWING BACK OF RECEPTACLE AND METHOD OF LOCKING HANDLE SHANK.



NOTES:

- 1.) AVAILABLE KEY NUMBERS:  
500 SERIES CH501-CH515,  
CH530-CH550.
- 2.) KEY REMOVABLE IN LOCKED  
AND UNLOCKED POSITION

NUMERO DE PIÈCE/PART NUMBER		DESCRIPTION		
<b>226-311</b>		Serrure encastrée en T / Recessed T-handle		
DESSIN PAR/DRAWING BY		MATÉRIEL/MATERIAL	FINI/FINISH	
Jimexs		Acier inoxydable / Stainless steel		
JIMEXS.COM / INFO@JIMEXS.COM		DATE	FEUILLE/SHEET	ÉCHELLE/SCALE
		2013-05-08	1/1	1 = 1
				PROJECTIONS

