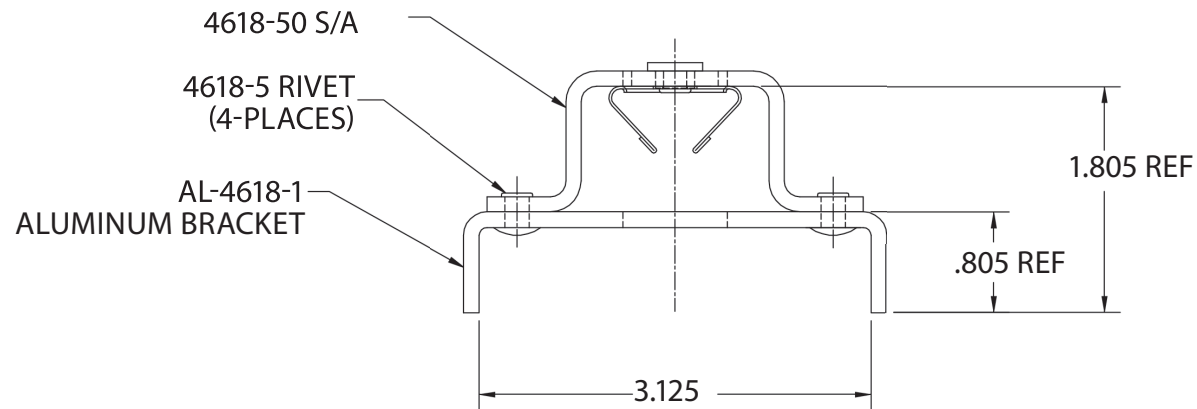
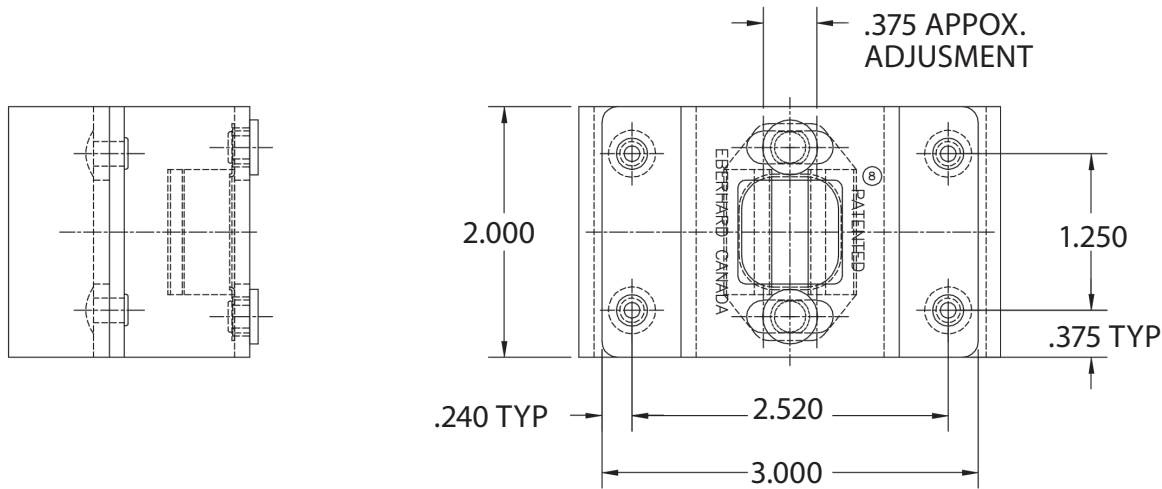


# TECHNICAL DRAWING / DESSIN TECHNIQUE



**JIMEXS**  
**HARDWARE**

1 866 447-5656 / INFO@JIMEXS.COM

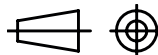
WWW.JIMEXS-HARDWARE.COM

225-765

Striker  
 Gache

2022-01-05

PROJECTIONS



MATERIAL/MATÉRIEL

Aluminum base  
 Base aluminium

SPECIFICATIONS / SPÉCIFICATIONS

For lock / Pour serrure 225-761