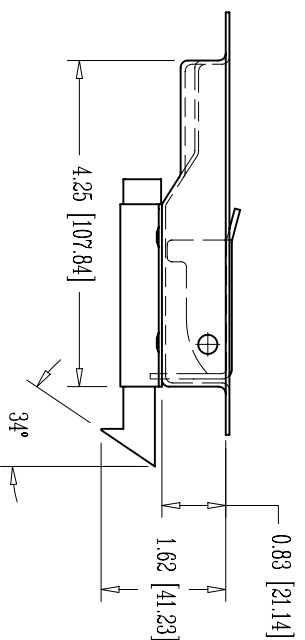
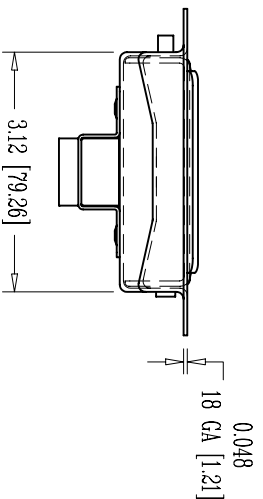


NOTE : MECANISME RIVETE / RIVETED MECHANISM



NUMERO DE PIÈCE/PART NUMBER

**225-291**

DESCRIPTION

SERRURE A PALETTE / PADDLE HANDLE

DESSIN PAR/DRAWING BY

Y. DAGENAIS

MATÉRIEL/MATERIAL

S/S 304

FINI/FINISH

POLI / POLISHED

DATE

06/11/2003

FEUILLE/SHEET

1/1

ECHELLE/SCALE

.4=1

SIZE

A

PROJECTIONS



JIMEXS.COM / INFO@JIMEXS.COM

