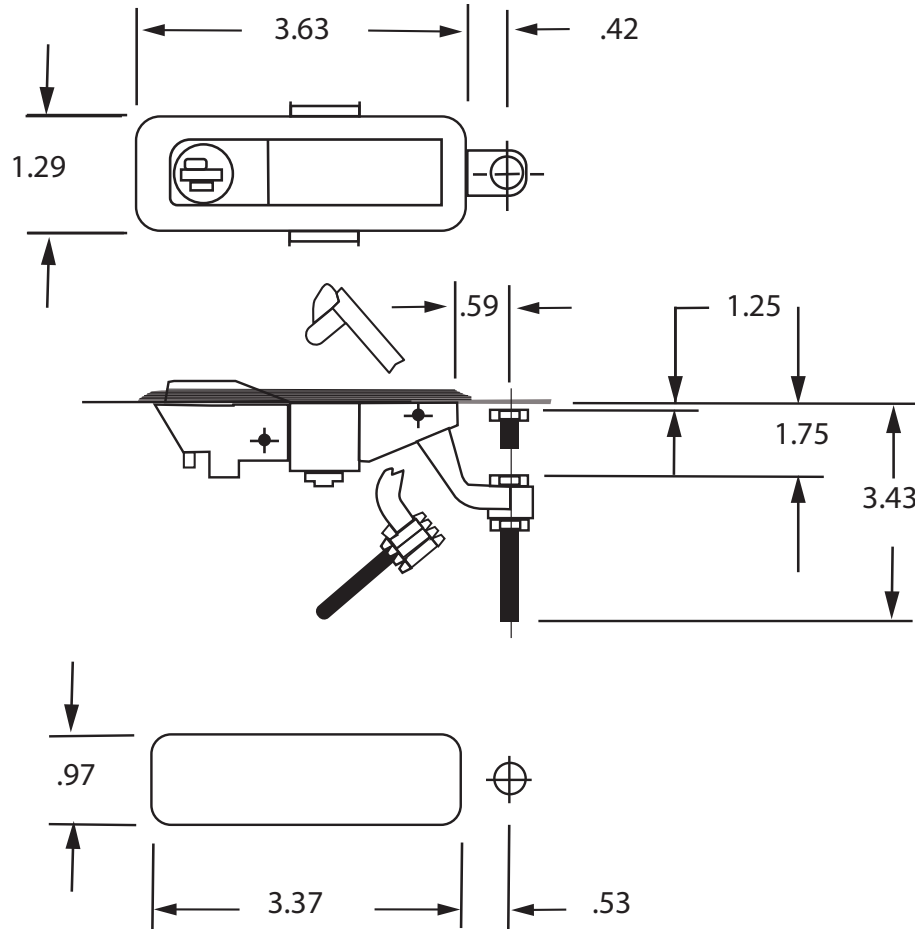


TECHNICAL DRAWING / DESSIN TECHNIQUE



JIMEXS
HARDWARE

1 866 447-5656 / INFO@JIMEXS.COM

WWW.JIMEXS-HARDWARE.COM

224-849

Adjustable latch / locking
 Verrou ajustable / barrable

2022-01-05

PROJECTIONS



DIMENSIONS

MATERIAL/MATÉRIEL

SPECIFICATIONS / SPÉCIFICATIONS

1-1/4" X 3-5/8"

Chrome

adjust / ajust 1.25" - 1.75"