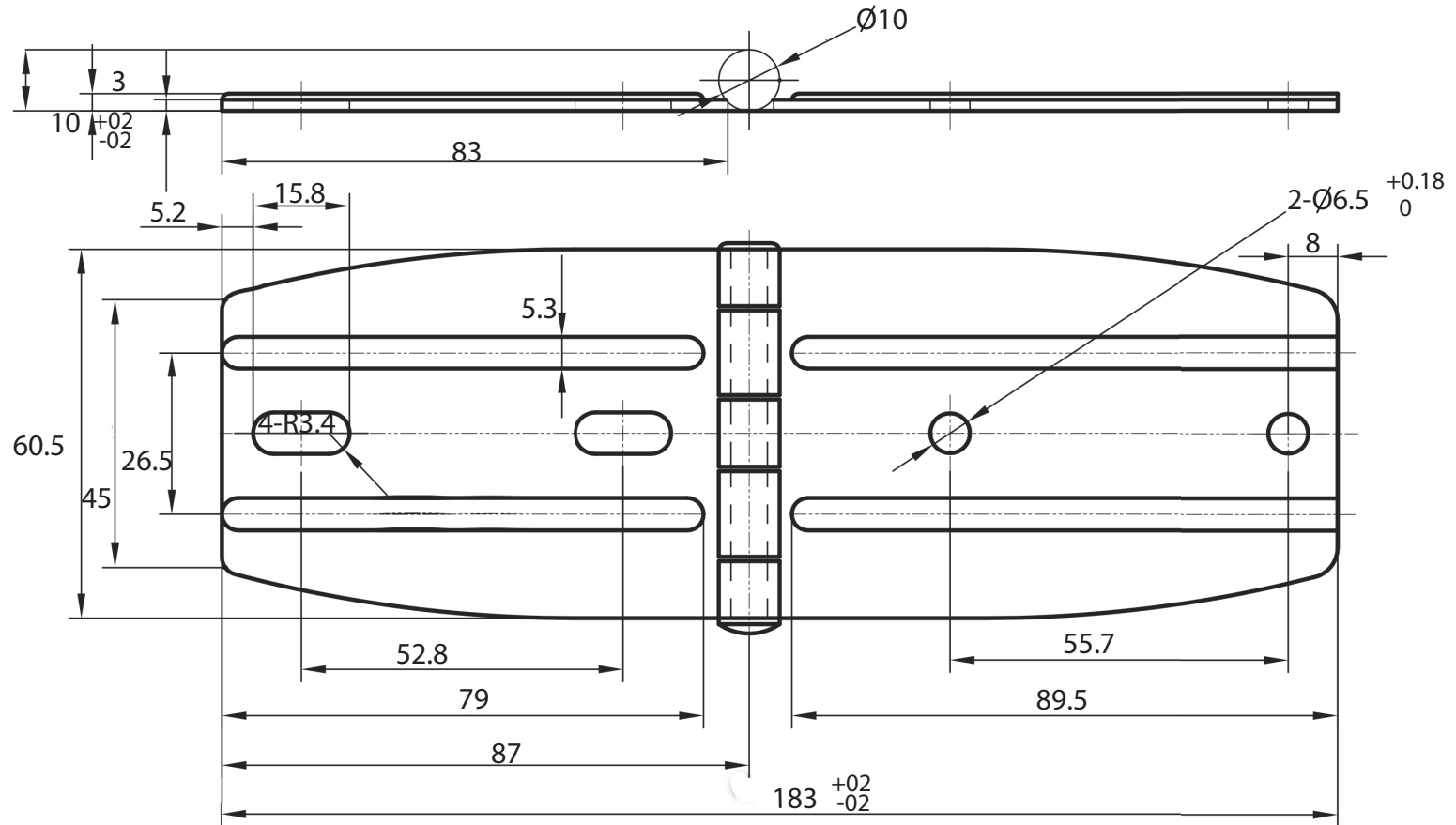


TECHNICAL DRAWING / DESSIN TECHNIQUE



JIMEXS
HARDWARE

1 866 447-5656 / INFO@JIMEXS.COM

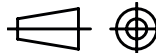
WWW.JIMEXS-HARDWARE.COM

207-161

Roll-up door hinge - center
 Penture pour porte montante - centre

2021-04-22

PROJECTIONS



DIMENSIONS

7,50" x 2,50"

MATERIAL / MATÉRIEL

Steel - zinc plated /

FINISH/ FINI

Acier - plaqué zinc