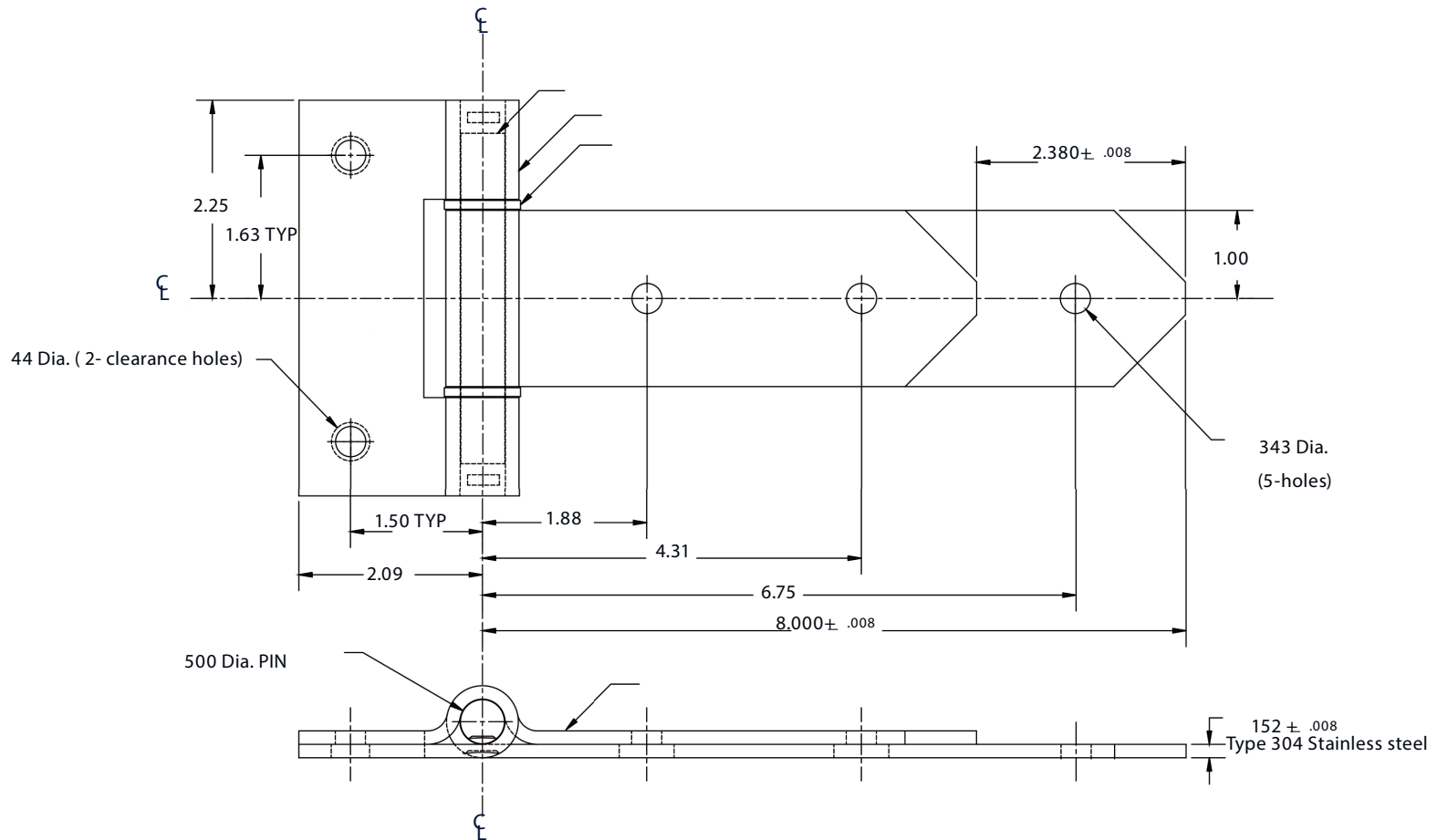


TECHNICAL DRAWING / DESSIN TECHNIQUE



JIMEXS
HARDWARE

1 866 447-5656 / INFO@JIMEXS.CO M
 WWW.JIMEXS-HARDWARE.COM

204-508

Strap Hinge - two hole butt
 Penture à lame - talon 2 trous

2021-04-20

PROJECTIONS



DIMENSIONS

8,00" x 4,50" x 2,00"

MATERIAL / MATÉRIEL

Stainless Steel (304) /
 Acier inoxydable (304)