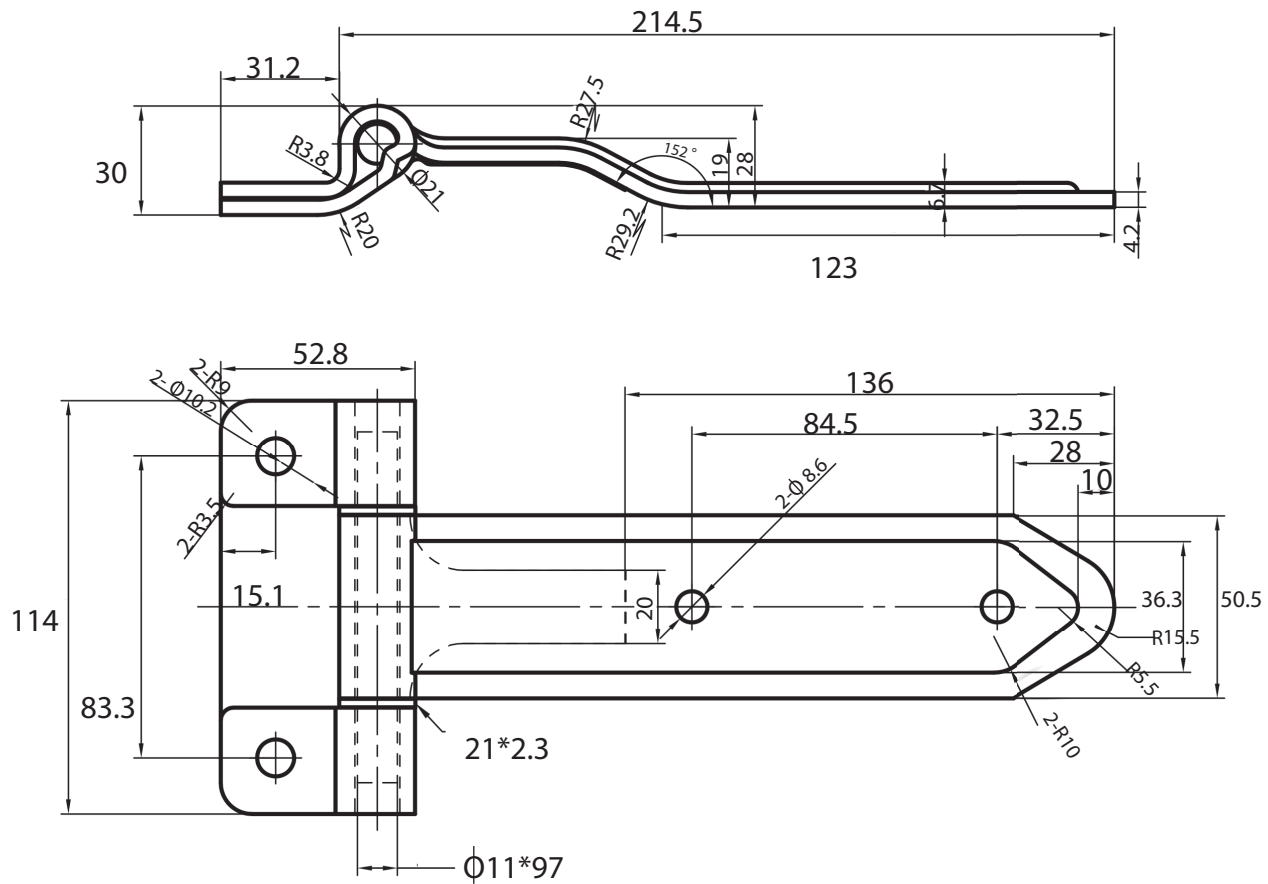


TECHNICAL DRAWING / DESSIN TECHNIQUE



JIMEXS
HARDWARE

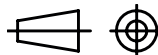
1 866 447-5656 / INFO@JIMEXS.CO M
 WWW.JIMEXS-HARDWARE.COM

204-108

Strap Hinge - two hole butt
 Penture à lame - talon à 2 trous

2021-04-20

PROJECTIONS



DIMENSIONS 8,00" x 4,50"
 MATERIAL/MATÉRIEL Steel - zinc plated /
 Acier plaqué zinc