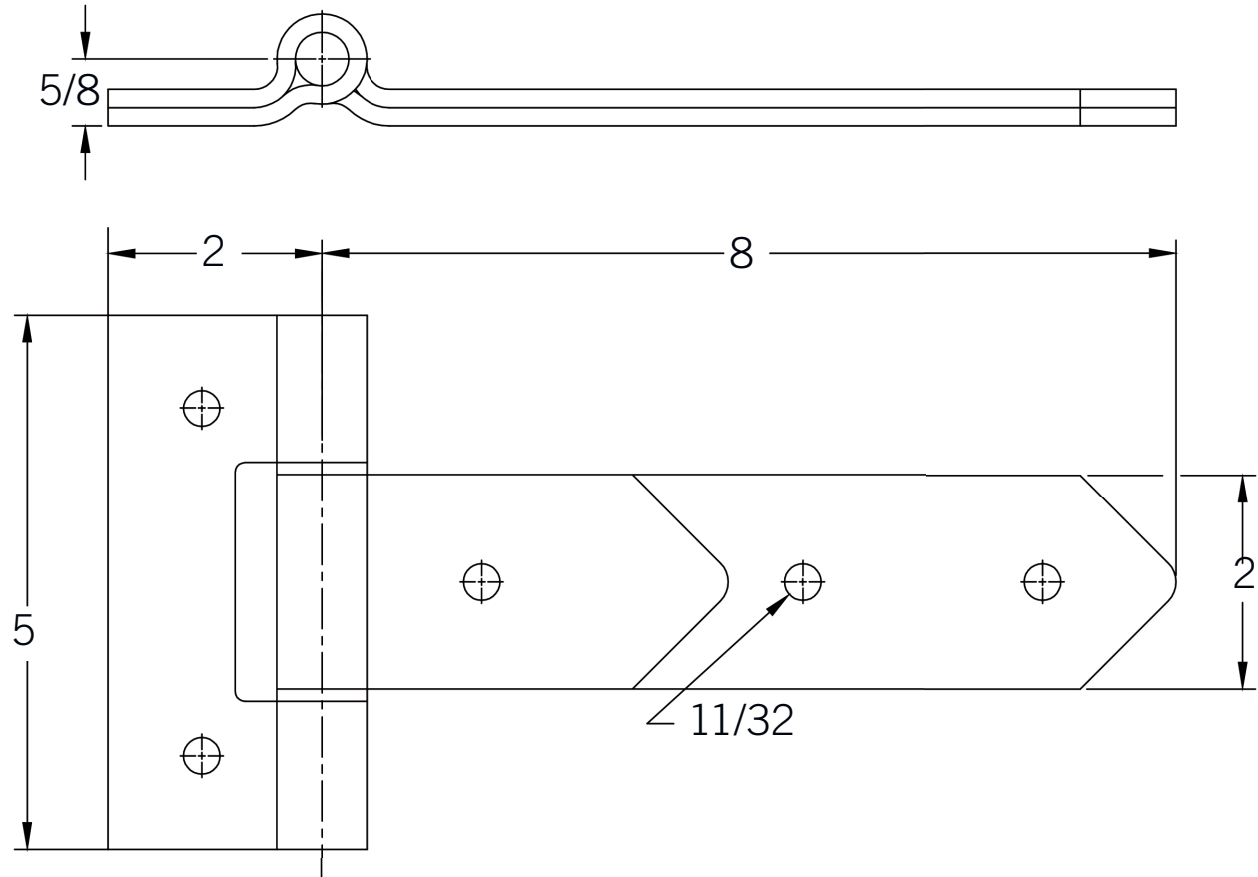


TECHNICAL DRAWING / DESSIN TECHNIQUE



JIMEXS
HARDWARE

1 866 447-5656 / INFO@JIMEXS.COM

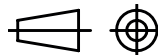
WWW.JIMEXS-HARDWARE.COM

204-008

Strap hinge
Penture à lame

26-04-2019

PROJECTIONS



DIMENSIONS

8"X 2"

MATERIAL / MATÉRIEL Zinc plated steel / Acier plaqué Zinc