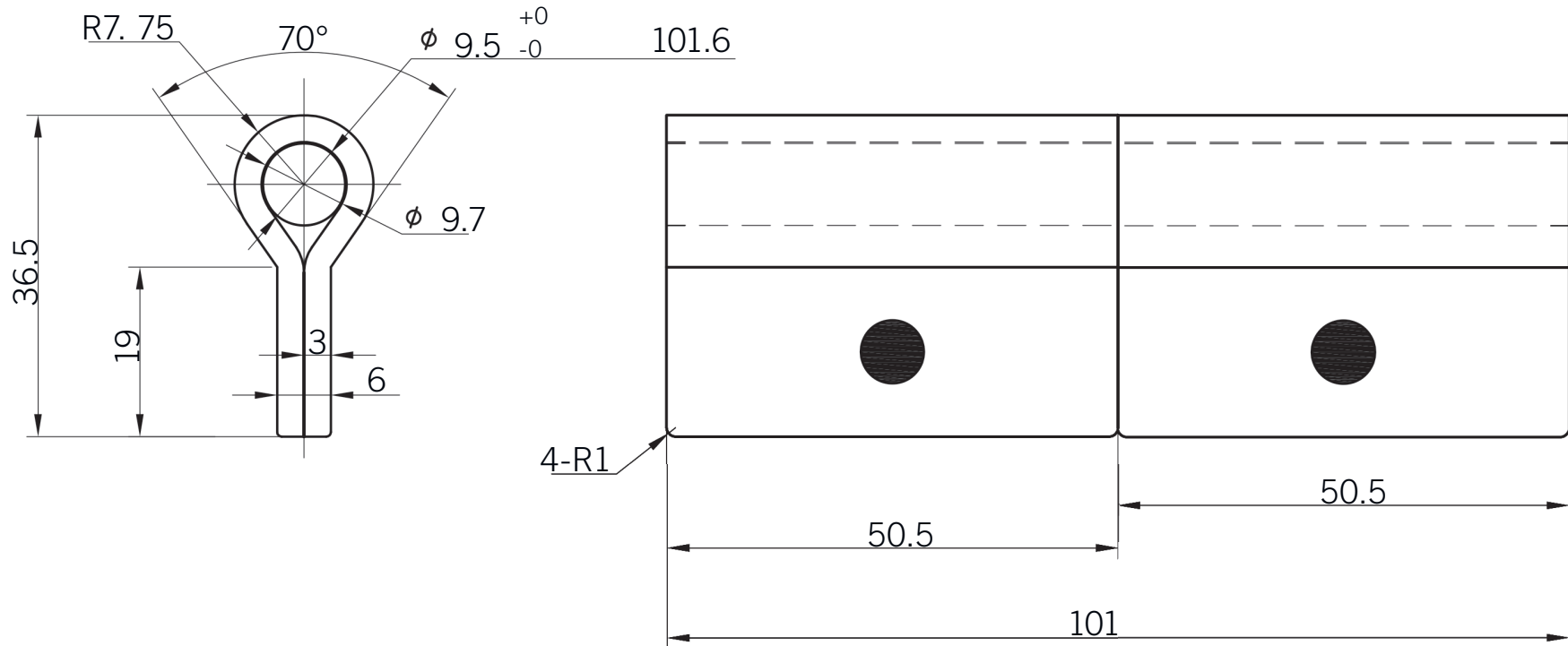


TECHNICAL DRAWING / DESSIN TECHNIQUE



JIMEXS
HARDWARE

1 866 447-5656 / INFO@JIMEXS.COM

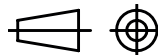
WWW.JIMEXS-HARDWARE.COM

203-201

Hinge
Penture

26-04-2019

PROJECTIONS



DIMENSIONS

0,375" x 4,00"

MATERIAL / MATÉRIEL Plain steel / Acier nu