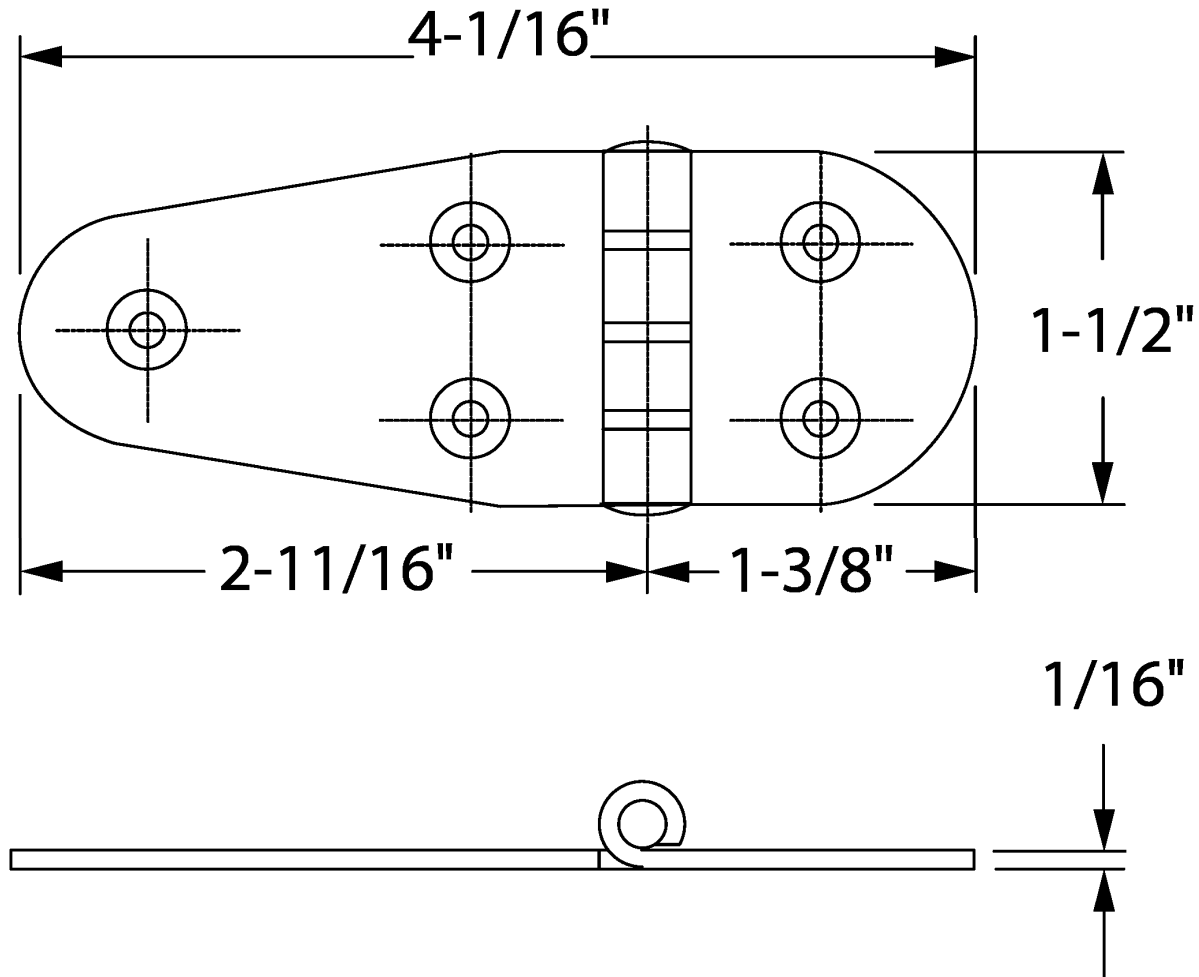


TECHNICAL DRAWING / DESSIN TECHNIQUE



**JIMEXS**  
**HARDWARE**

1 866 447-5656 / INFO@JIMEXS.COM

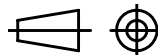
WWW.JIMEXS-HARDWARE.COM

**202-431**

Hinge  
Penture

26-04-2019

**PROJECTIONS**



**DIMENSIONS**

4-1/16" x 1-1/2"

**MATERIAL / MATÉRIEL**

Stamped stainless steel (304) /  
Acier inoxydable estampée (304)