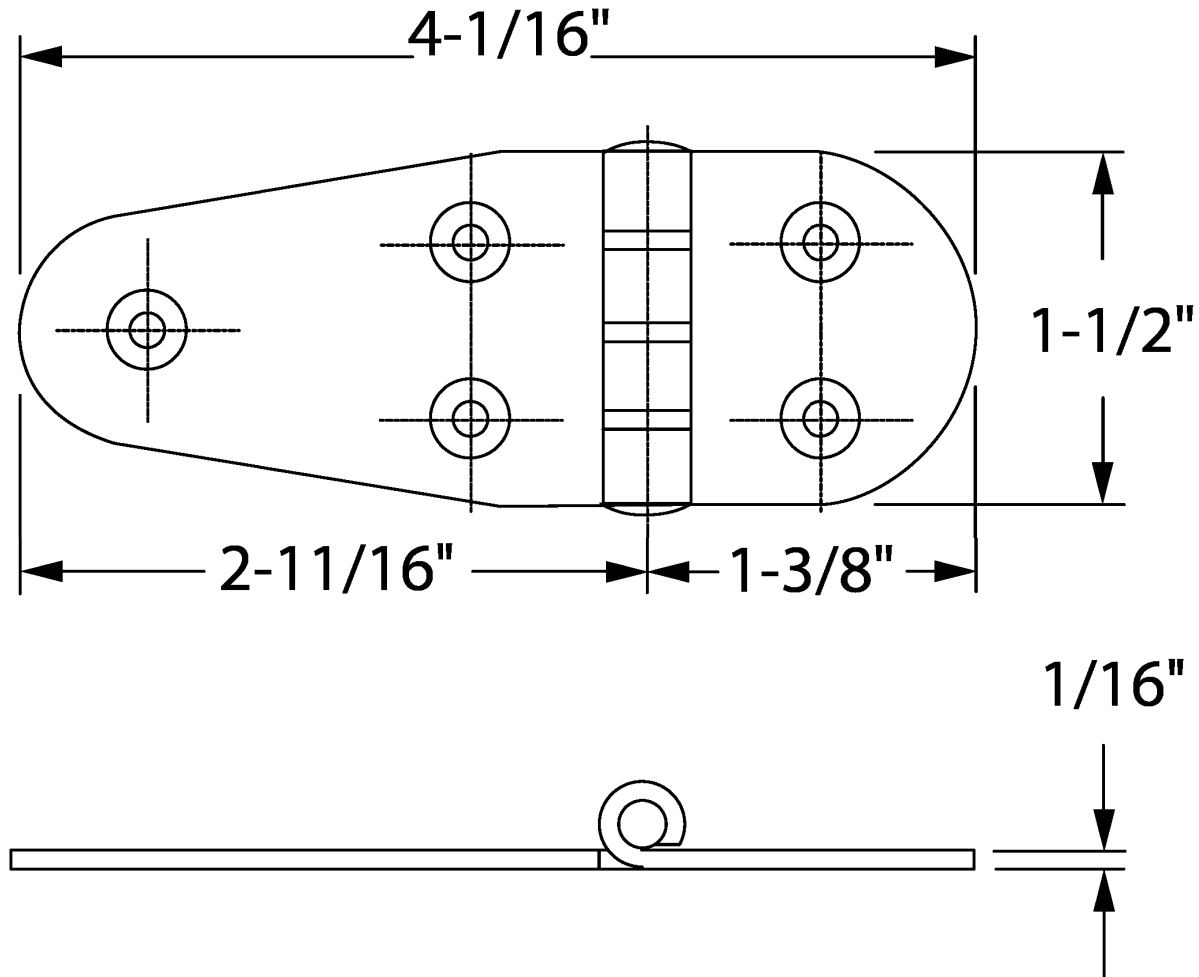


TECHNICAL DRAWING / DESSIN TECHNIQUE



JIMEXS
HARDWARE

1 866 447-5656 / INFO@JIMEXS.COM

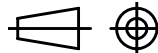
WWW.JIMEXS-HARDWARE.COM

202-431

Hinge
 Penture

2022-01-06

PROJECTIONS



DIMENSIONS

4-1/16" x 1-1/2"

MATERIAL / MATÉRIEL

Stamped stainless steel (30 4) /

Acier inoxydable estampée (304)