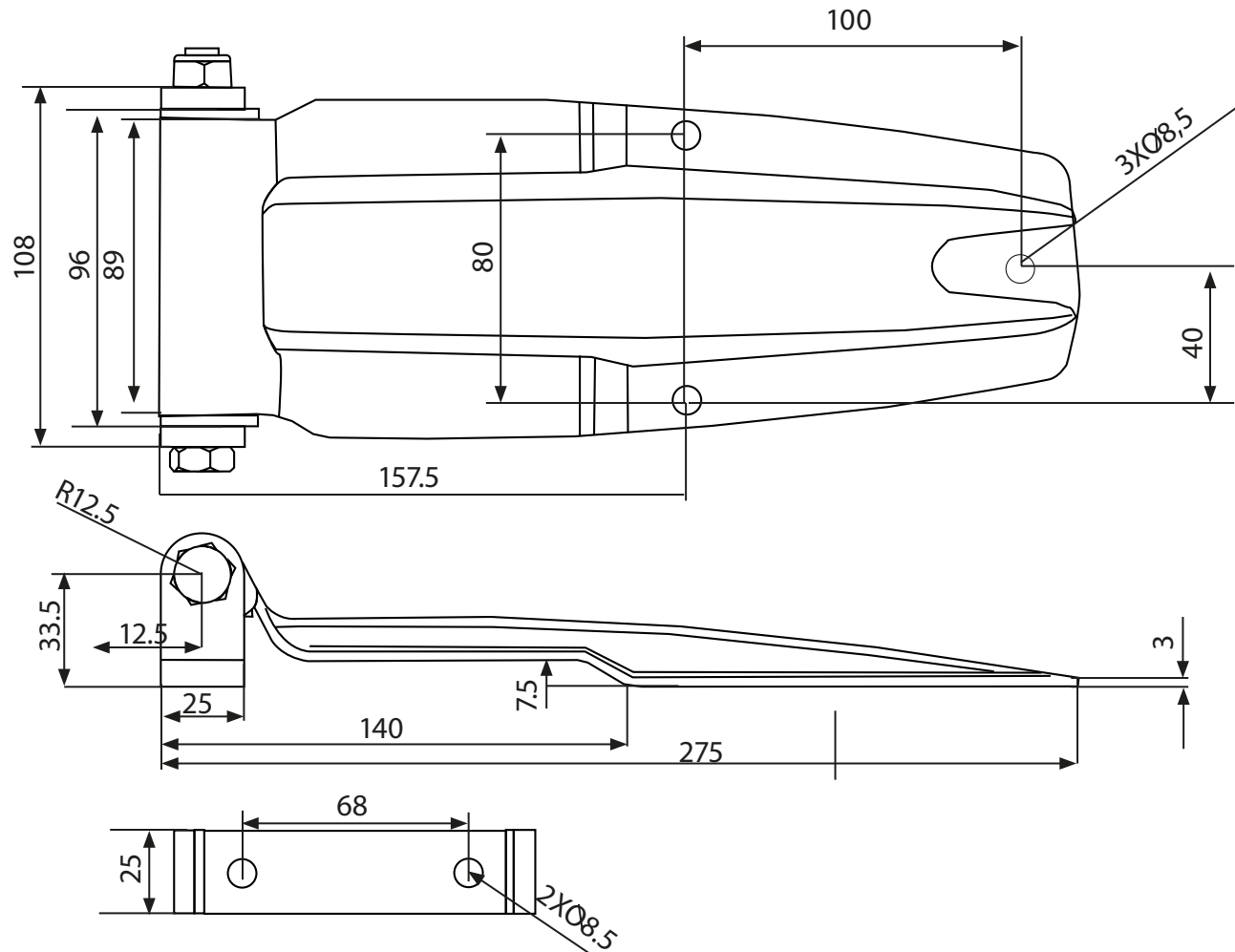


# TECHNICAL DRAWING / DESSIN TECHNIQUE



**JIMEXS**  
**HARDWARE**

1 866 447-5656 / INFO@JIMEXS.COM

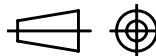
WWW.JIMEXS-HARDWARE.COM

202-341

Hinge  
Penture

2021-09-22

PROJECTIONS



DIMENSIONS 275 mm