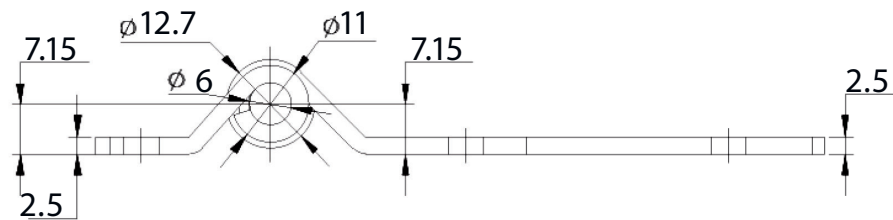
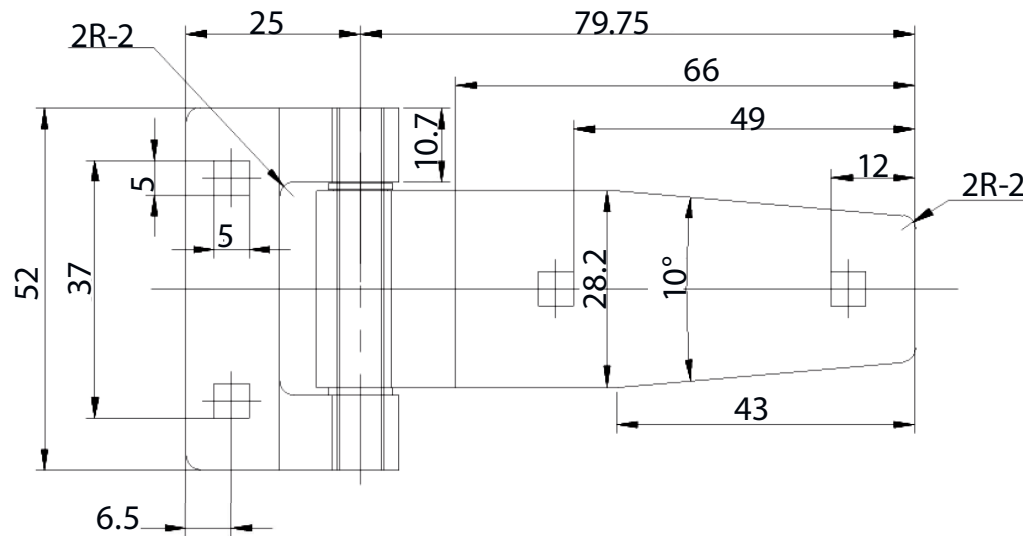


# TECHNICAL DRAWING / DESSIN TECHNIQUE



**JIMEXS**  
**HARDWARE**

1 866 447-5656 / INFO@JIMEXS.COM

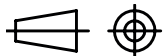
WWW.JIMEXS-HARDWARE.COM

**202-253**

Hinge (round holes)  
 Penture (trous rounds)

26-04-2019

**PROJECTIONS**



**DIMENSIONS** 3,15"

**MATERIAL / MATÉRIEL** Stainless steel / Acier inoxydable