

030-1450 Two-Point Paddle Handle



This flush mounted paddle is a redesign of our 030-0450 paddle handle for compartment doors and entrance doors on recreational and specialty vehicles. Containing the same proven mechanical details as previous with a modernized look, it can be used in FMVSS 206 applications, is power lockable and features 2-point remote pivot plate and lock cam actuation.

FEATURES/BENEFITS:

- Offers updated styling
- Paddle is rigid when locked
- Inside lock detail provides for multiple connection points for use of inside lock and/or powerlock actuation
- Molded rubber gasket for flange of housing provides resistance to water and dust infiltration



500 Bailey Avenue
P.O. Box 350
New Hampton, Iowa 50659
United States
Tel: 641-394-3188
Fax: 641-394-2392
1-800-447-0343
www.trimarkcorp.com



TriMark Europe, Ltd.
Cedar Court
Walker Road
Bardon Hill
Coalville LE67 1TU
United Kingdom
Tel: +44 (0)1530 512460
Fax: +44 (0)1530 512461
www.trimarkeu.com



030-1450 Two-Point Paddle Handle

AVAILABLE:

- Lock can be keyed to match other TriMark door products with KeyOne Plus for a single-key system, keyed alike or provided non-locking
- Several 2-point pivot plate options are available to suit a wide variety of applications



INSTALLATION:

- Handle is easy to install with supplied single 1/4-20 UNC nut and mounting bracket (Mounting torque not to exceed 30 in-lbs [3.39 N-m])
- Either handed version can be installed in a wide range of locations in either horizontal or vertical orientations (left hand shown)
- Retrofits with most 030-0450 flush paddle handles

MATERIAL:

- Sturdy zinc die cast alloy housing and paddle

FINISH:

- Standard black powder coated, buffed copper-nickel-nickel-chrome plated or combination black powder coated housing and buffed chrome paddle

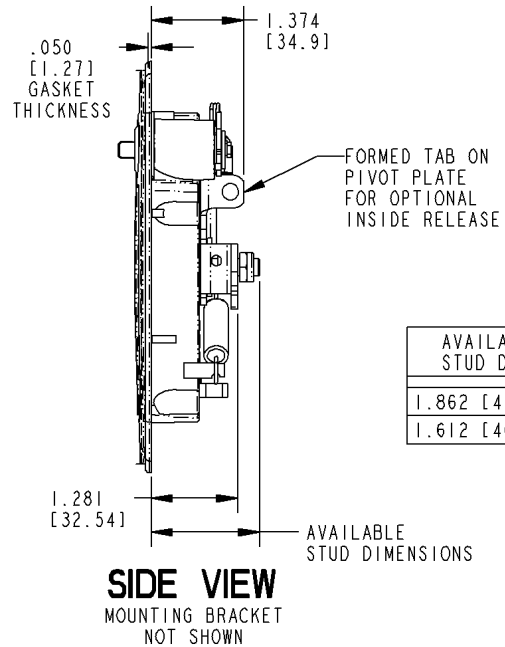
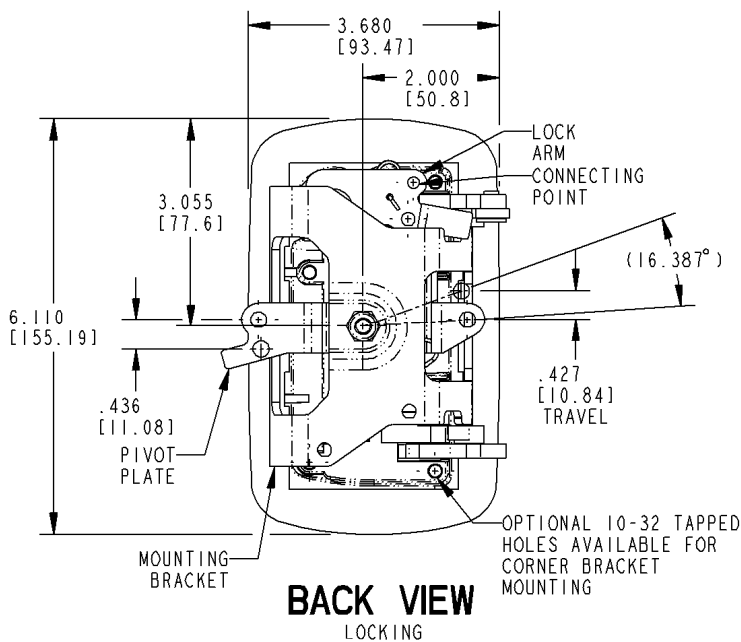
USE WITH:

- Please refer to our website for related products that are compatible for use with this product

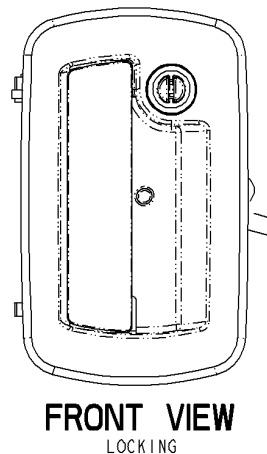
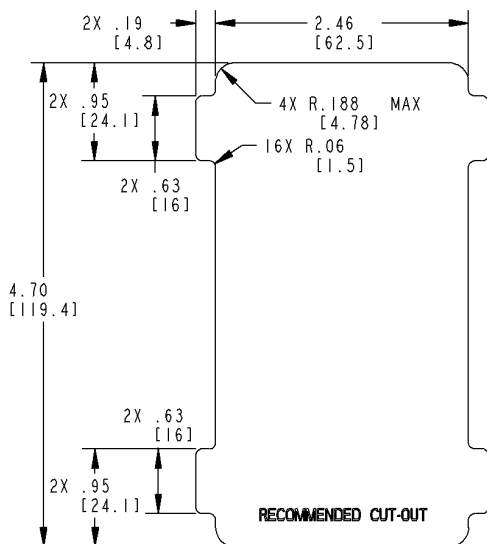
Meets FMVSS 206 locking requirements and may be used in FMVSS 206 applications pending TriMark application approval.

Individual part dimensions are for reference only. Refer to individual part drawings for complete dimensions, specifications, and installation procedures. Engineering assistance and application drawings are available.

Design Patent No. D537,701



AVAILABLE STUD DIM.
1.862 [47.29]
1.612 [40.94]



For more information visit www.trimarkcorp.com