

030-0175 Stamped Steel Compartment Latch



DESIGNED FOR:

- On or off-highway vehicle applications
- Service and utility truck body doors
- Fire and rescue unit vehicles
- Most storage, compartment and access doors with latch and strike location at top or sides of door
- Door weights of approximately 75 lbs. (34 kg) or less



500 Bailey Avenue
P.O. Box 350
New Hampton, Iowa 50659
United States
Tel: 641-394-3188
Fax: 641-394-2392
1-800-447-0343
www.trimarkcorp.com



TriMark Europe, Ltd.

Cedar Court
Walker Road
Bardon Hill
Coalville LE67 1TU
United Kingdom
Tel: +44 (0)1530 512460
Fax: +44 (0)1530 512461
www.trimarkeu.com



030-0175 Stamped Steel Compartment Latch

AVAILABLE:

- In locking or non-locking configurations
- Keyed alike
- Keyed random. 50 keycodes available
- 2-point pivot plate for doors that require a 2-point latching mechanism (030-0185)
- Optional gasket for flange of housing is available to provide resistance to water and dirt infiltration
- Power lock actuation
- Customer logo on paddle (please inquire)

USE WITH:

- Please refer to our website for related products that are compatible for use with this product

FINISH:

- Buffed and polished stainless steel
- Zinc plate clear chromate conversion coat over mild steel for maximum paint adhesion and resistance to rust

MATERIAL:

- Housing and paddle: 300 series stainless steel
- Mild steel also available on housing and paddle
- Other components: zinc plated, mild steel
- Internal latch components: case hardened, smooth edge stamped steel
- Stainless steel non-corrosive springs and rivets

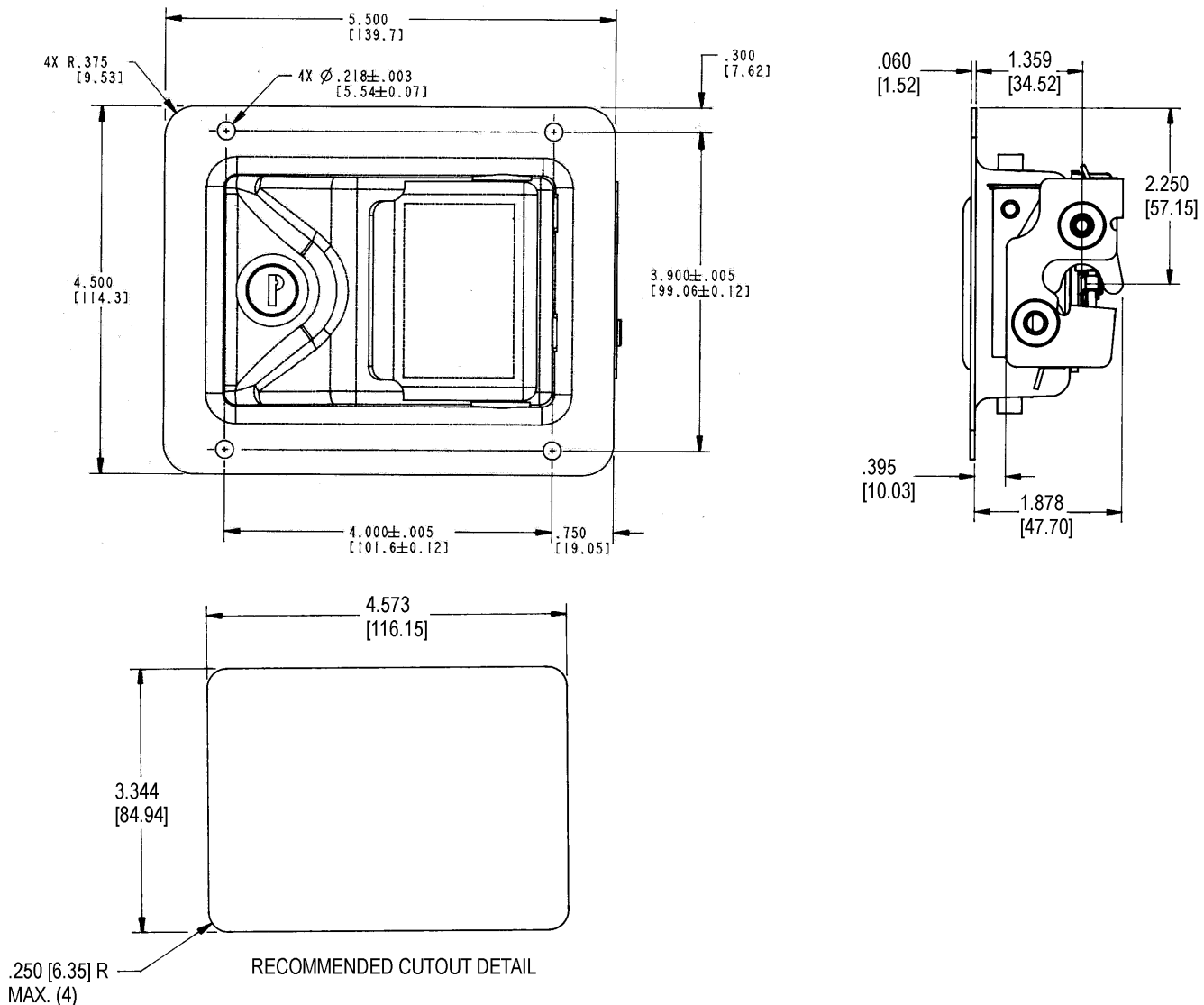
INSTALLATION:

- 3/16" (4mm) diameter fasteners
- Blind mount option also available

U.S. Patent No. 5,299,844

Design Patent No. 369,089

For more information visit
www.trimarkcorp.com



APPLICATION RECOMMENDATIONS:

- Striker bolt installation should allow for a minimum radial movement of .060 [1.524] for adjustment
- Rubber bumpers or door seals are recommended to reduce effects of vibration stress on door and latch system

Caution: Compartment latch does not meet FMVSS 206 load requirements.

Individual part dimensions are for reference only. Refer to individual part drawings for complete dimensions, specifications, and installation procedures. Engineering assistance and application drawings are available.

LATCH & STRIKER INSTALLATION:

- Install striker bolt in door frame
- Close door carefully and check for interference between head of striker bolt and latch components
- Add or remove shims under striker bolt washer as required (outside diameter of shim should be larger than outside diameter of striker bolt washer)
- Adjust striker bolt vertically so door is not guided upward or downward while being closed
- CHECK TO DETERMINE THAT BOTH SECONDARY AND PRIMARY LATCH POSITIONS ARE USABLE
- Door should be latched but not "closed" in secondary position and latched to anticipated "closed" position with respect to adjacent surfaces in primary position
- If both primary and secondary positions are not evident, readjust striker bolt

