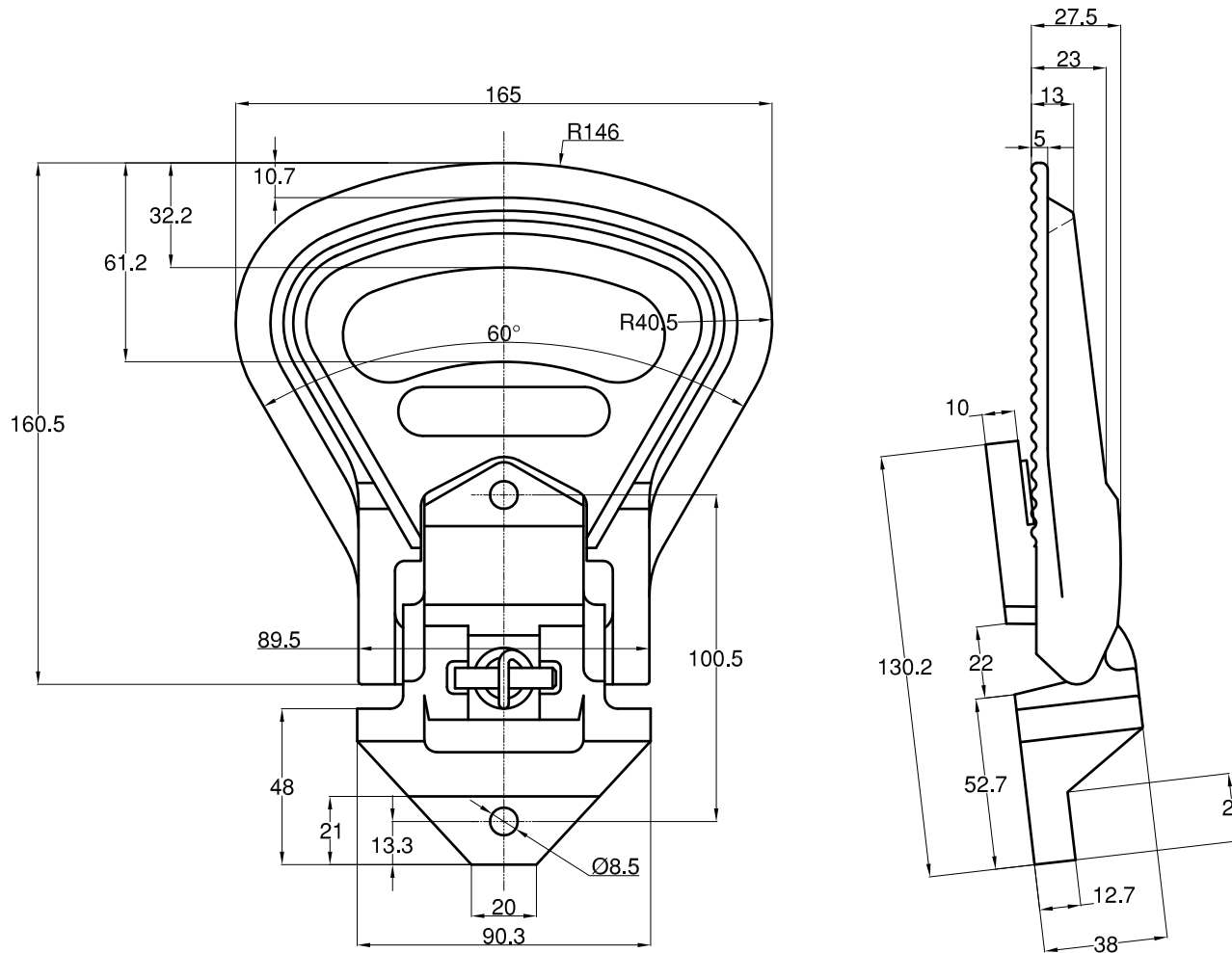


# TECHNICAL DRAWING / DESSIN TECHNIQUE



**JIMEXS**  
**HARDWARE**

1 866 447-5656 / INFO@JIMEXS.COM

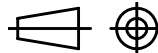
WWW.JIMEXS-HARDWARE.COM

901-151

Folding step  
 Marchepied

2022-03-29

PROJECTIONS



MATERIAL / MATÉRIEL Hot dip galvanized steel /  
 Acier galvanisé à chaud