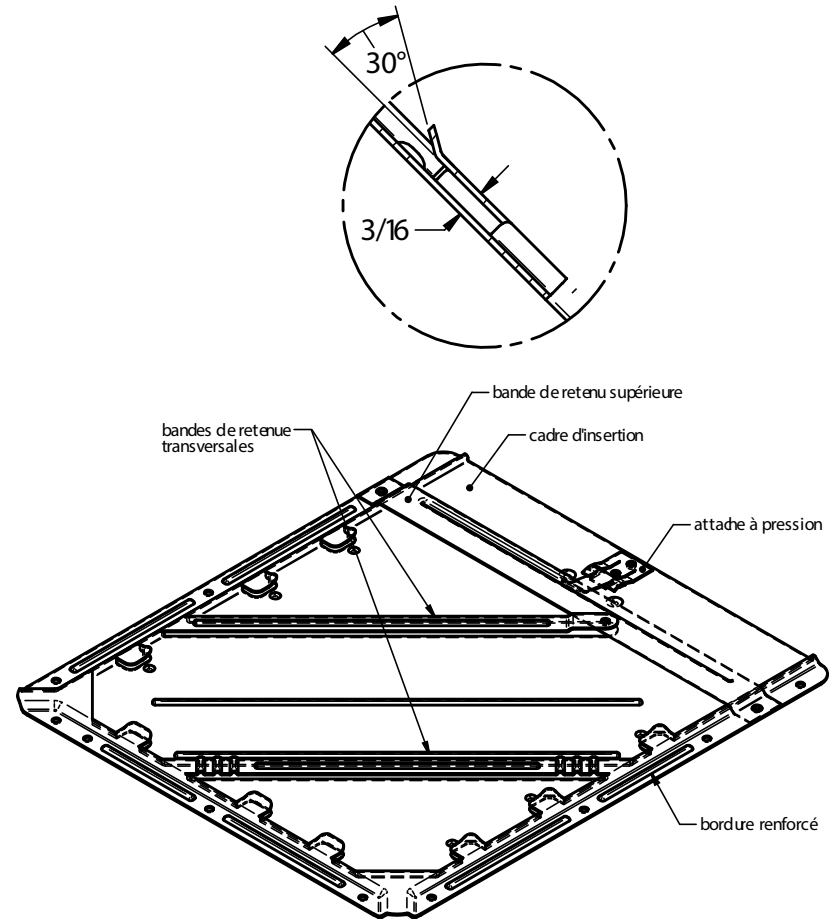
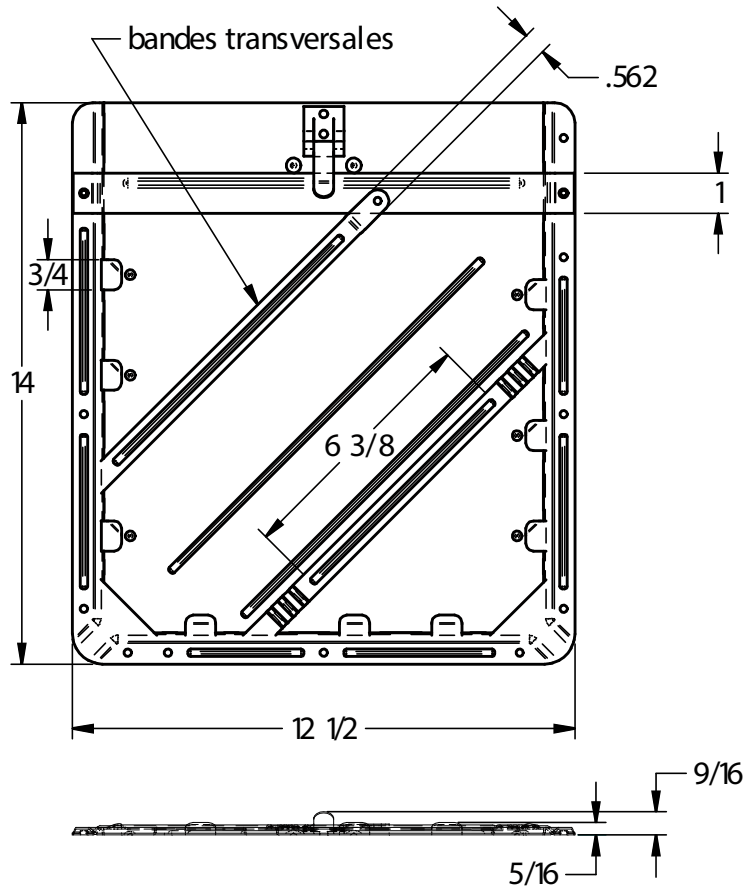


TECHNICAL DRAWING / DESSIN TECHNIQUE



JIMEXS
HARDWARE

1 866 447-5656 / INFO@JIMEXS.COM

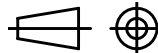
WWW.JIMEXS-HARDWARE.COM

801-001

Placard Holder
 Support de Placard

2022-03-01

PROJECTIONS



DIMENSIONS

12-1/2" x 14"

MATERIAL / MATÉRIEL

Aluminium - S/S Clip / Attache en S/S