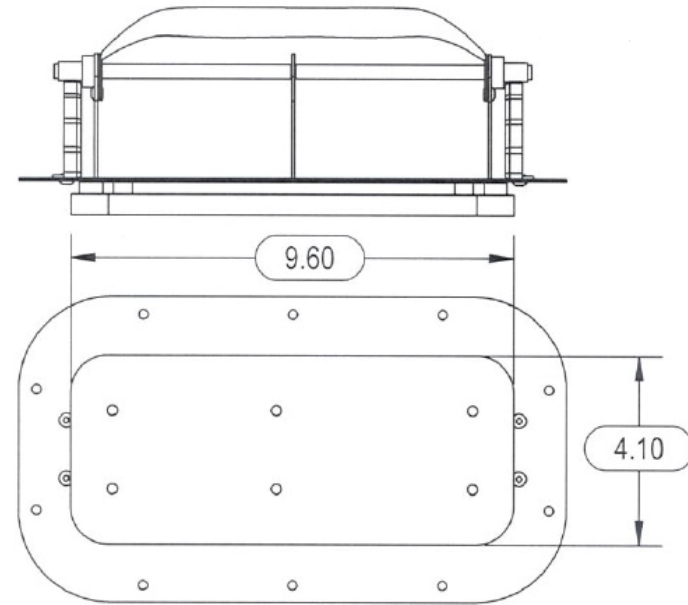
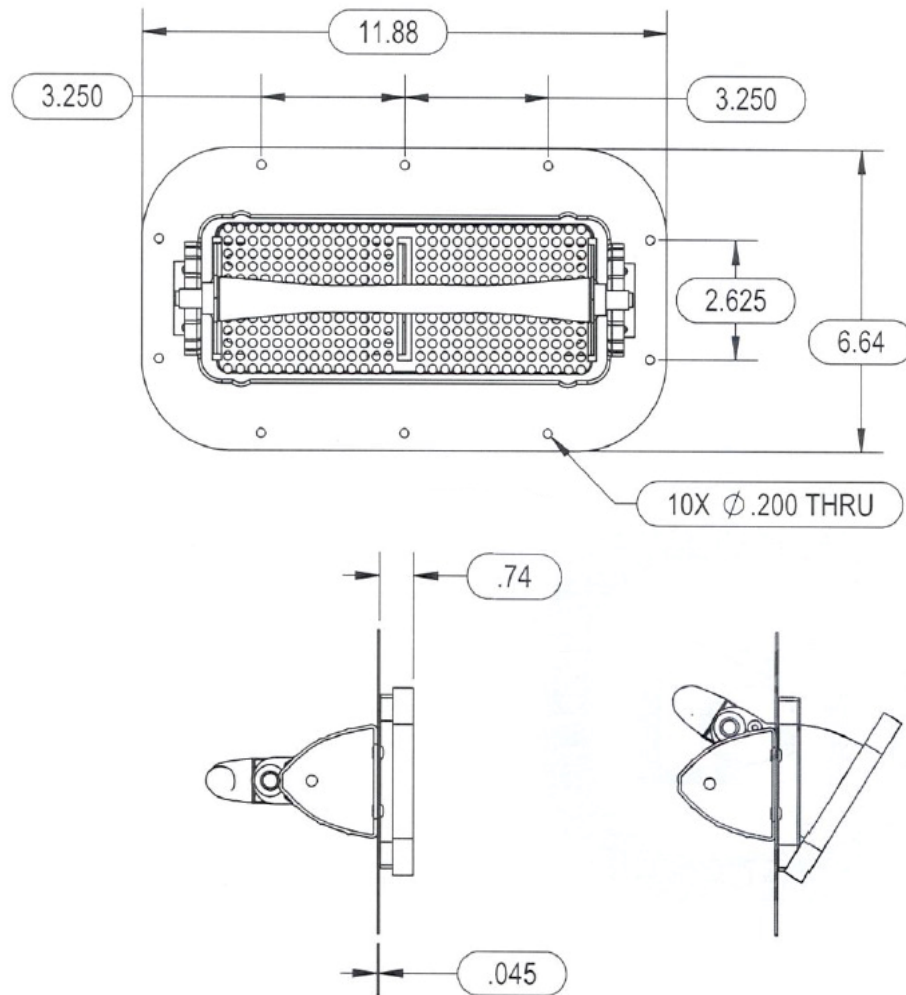


TECHNICAL DRAWING / DESSIN TECHNIQUE



JIMEXS
HARDWARE

1 866 447-5656 / INFO@JIMEXS.COM

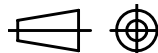
WWW.JIMEXS-HARDWARE.COM

752-201

Low profile vent
 Ventilateur à profile bas

2022-02-23

PROJECTIONS



DIMENSIONS: 11 7/8" x 6 5/8" x 4 7/8" H

MATERIAL: Aluminium