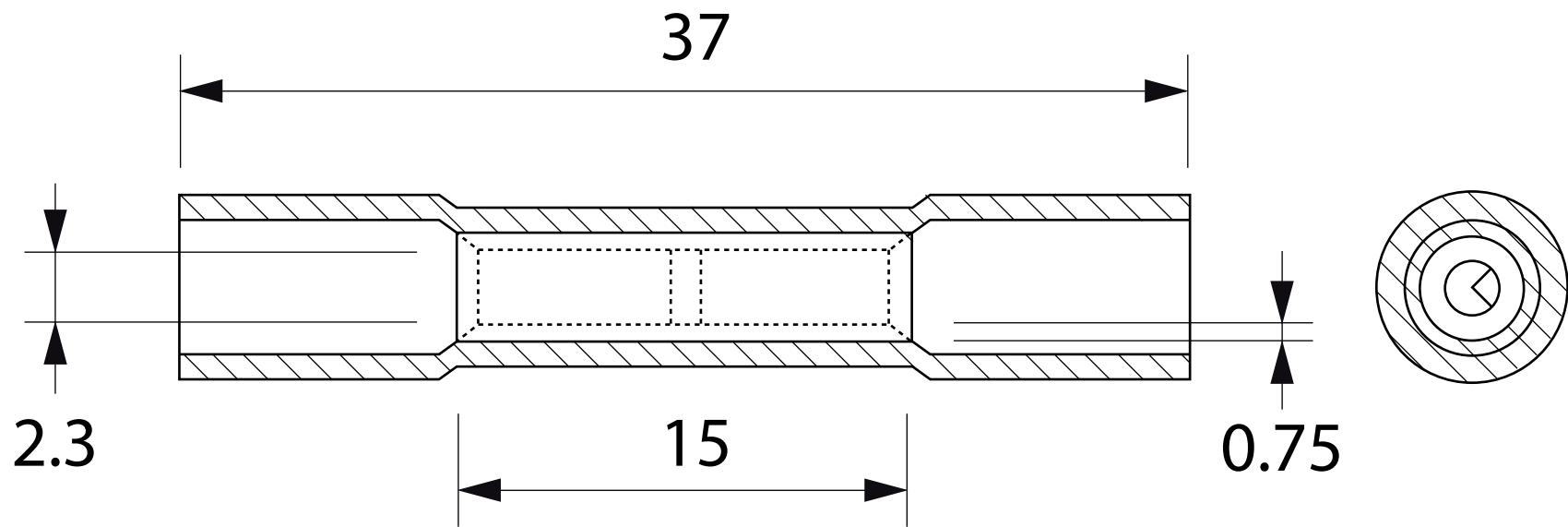


DESSIN TECHNIQUE / TECHNICAL DRAWING



J-LITE

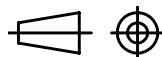
1 866 447-5656 / INFO@J-LITE.COM
WWW.JJ-LITE.COM

731-252

Butt connector
Manchon connecteur

2022-02-22

PROJECTIONS



DIMENSIONS

37 mm x 2.3 mm

SPECS

Heat shrinking / #16-14 / Thermo-rétrécissant

MATERIAL