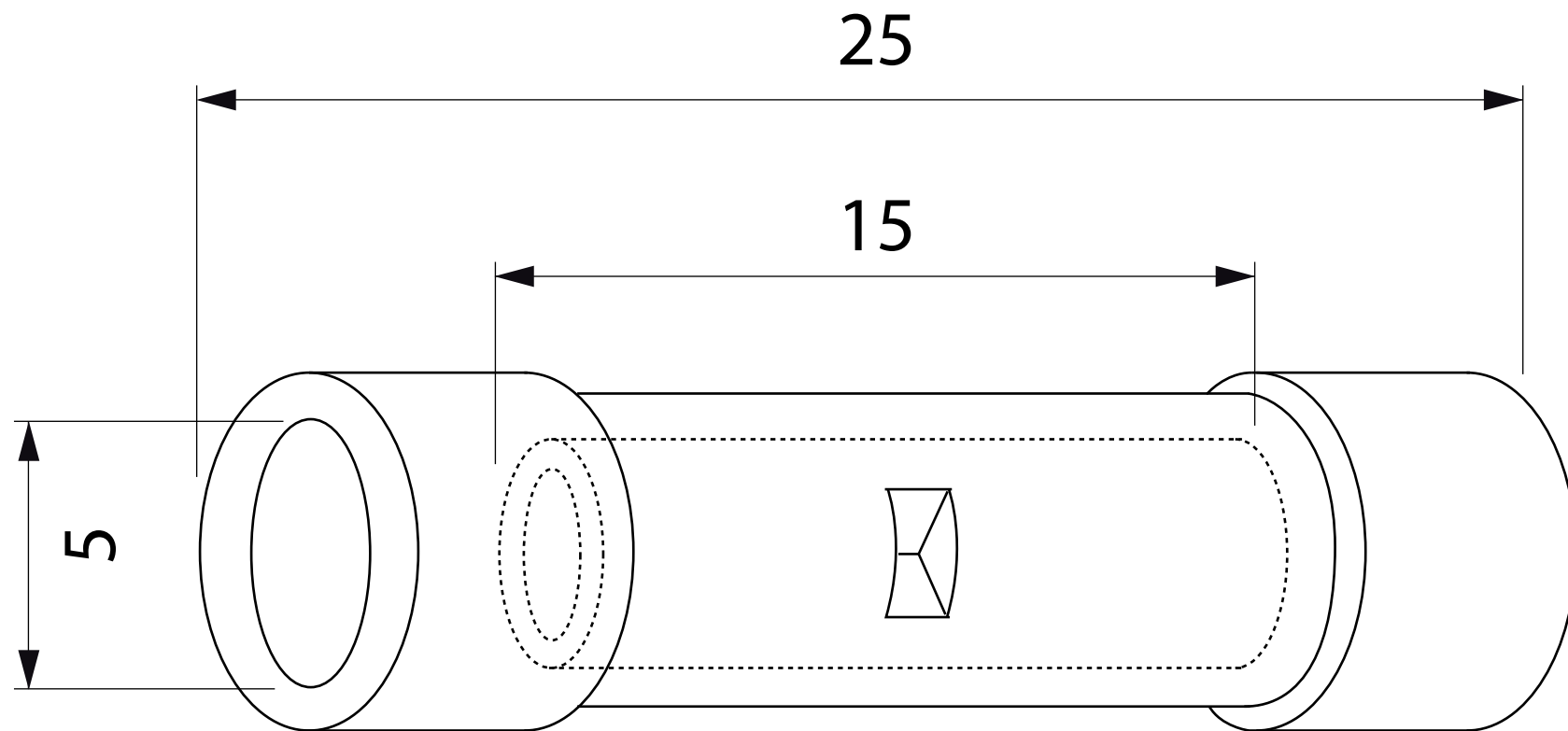


# DESSIN TECHNIQUE / TECHNICAL DRAWING



# J-LITE

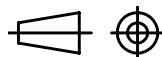
1 866 447-5656 / INFO@J-LITE.COM  
WWW.JJ-LITE.COM

731-202

Butt connector  
Manchon connecteur

2022-02-22

PROJECTIONS



DIMENSIONS 25 mm x 5 mm  
SPECS #16-14  
MATERIAL Vinyl - Blue / Vinyle - Bleu