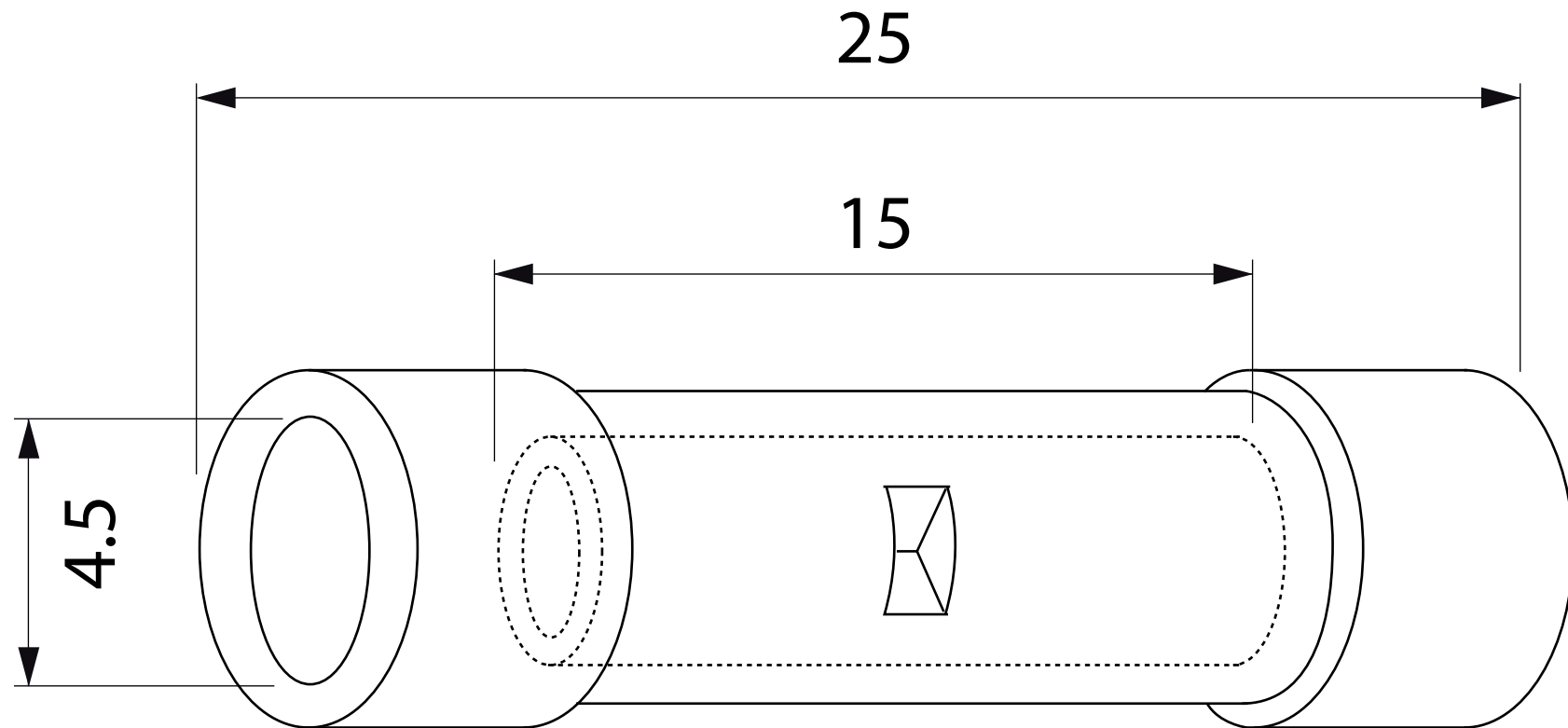


DESSIN TECHNIQUE / TECHNICAL DRAWING



J-LITE

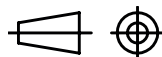
1 866 447-5656 / INFO@J-LITE.COM
WWW.JJ-LITE.COM

731-201

Butt connector
Manchon connecteur

2022-02-22

PROJECTIONS



DIMENSIONS 25 mm x 4.5 mm
SPECS #22-18
MATERIAL Vinyl - Red / Vinyle - Rouge