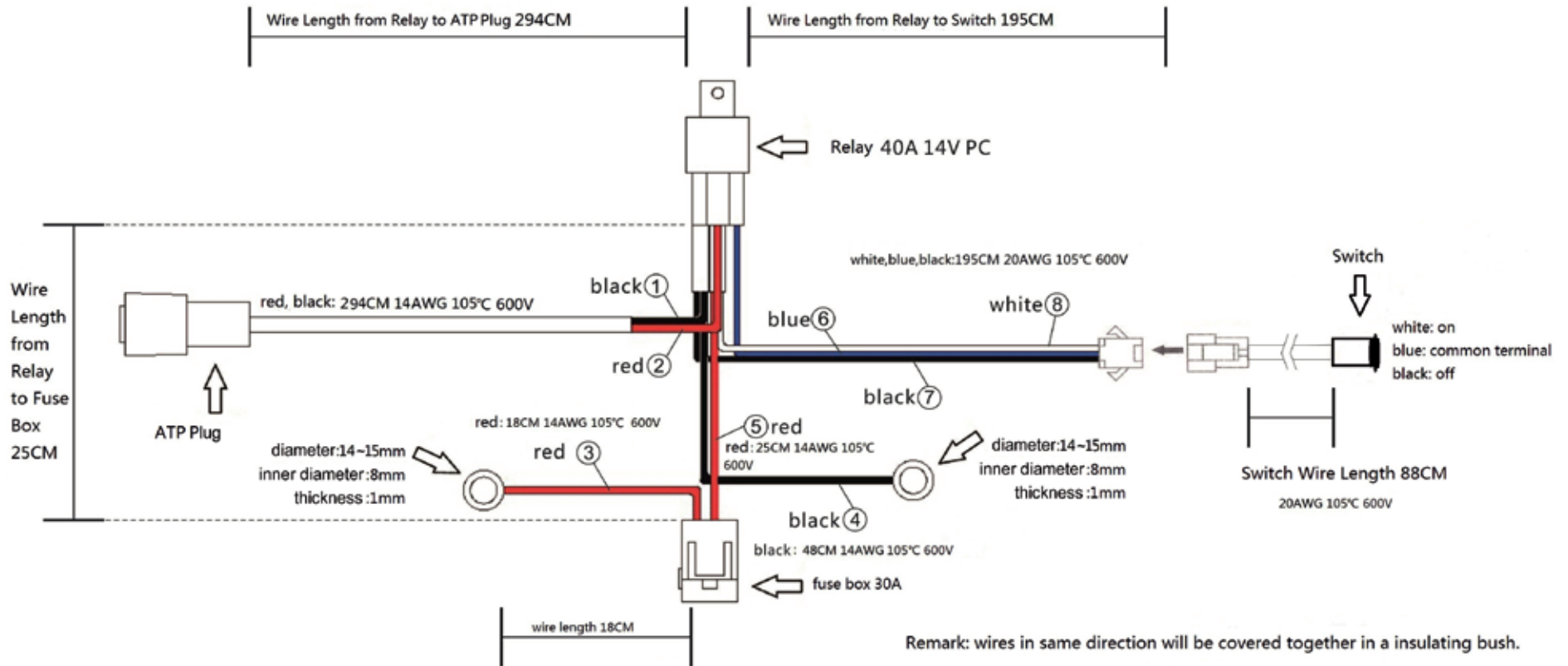


# DESSIN TECHNIQUE / TECHNICAL DRAWING



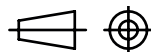
**J-LITE**  
**OFF-ROAD**  
 1 866 447-5656  
 INFO@JLITE-OFFROAD.COM  
 WWW.JLITEOFFROAD.COM

709-955

Off-Road Wiring Harness 150W to 300W  
 Harnais de câblage Off-Road 150W à 300W

2022-02-22

PROJECTIONS



SPECS

1 commutateur - 2 terminaisons - 1 connexion "ATP" /  
 1 switch - 2 ends - 1 "ATP" plug