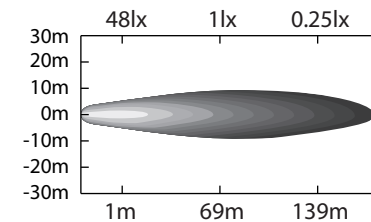
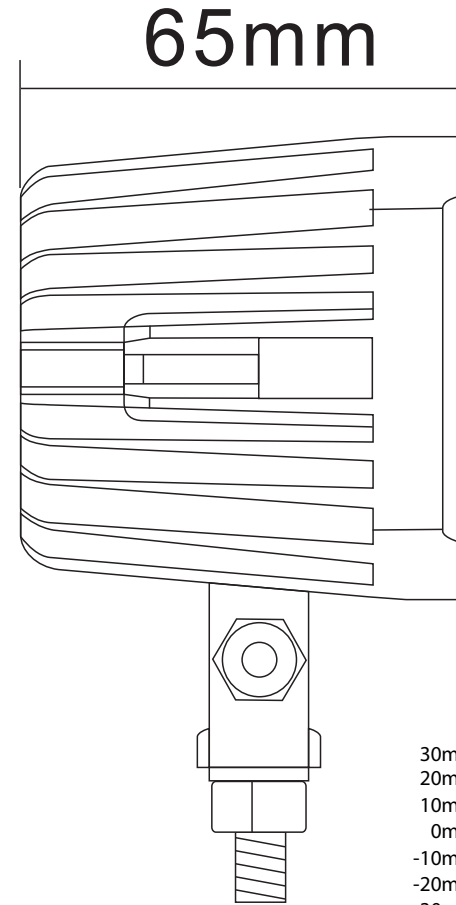
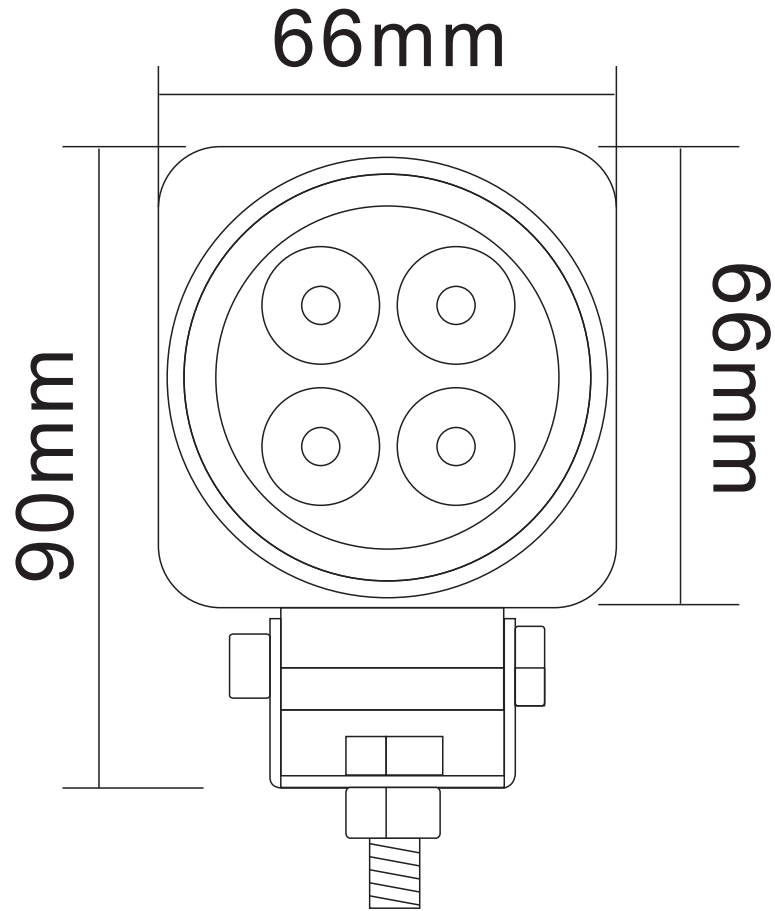


DESSIN TECHNIQUE / TECHNICAL DRAWING



**J-LITE**  
**OFF-ROAD**  
 1 866 447-5656  
 INFO@JLITE-OFFROAD.COM  
 WWW.JLITE-OFFROAD.COM

709-782  
 Work lamp LED  
 Lampe de travail DEL

2022-02-21  
 PROJECTIONS



DIMENSIONS:  
 DIODES  
 LUMENS  
 WATTS  
 AMPS  
 VOLTS  
 SPECIFICATIONS / SPÉCIFICATIONS

2.6" x 2.6" (66 mm x 66 mm)  
 4 Epistar  
 900 LM  
 10W  
 1A@12V, 0.5A@24V  
 10-30 Vdc  
 Spot (20°)