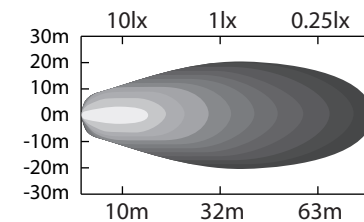
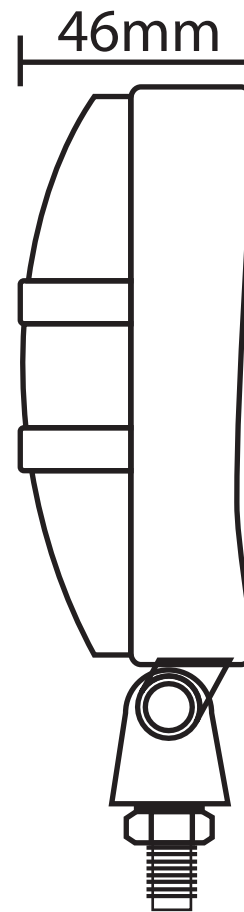
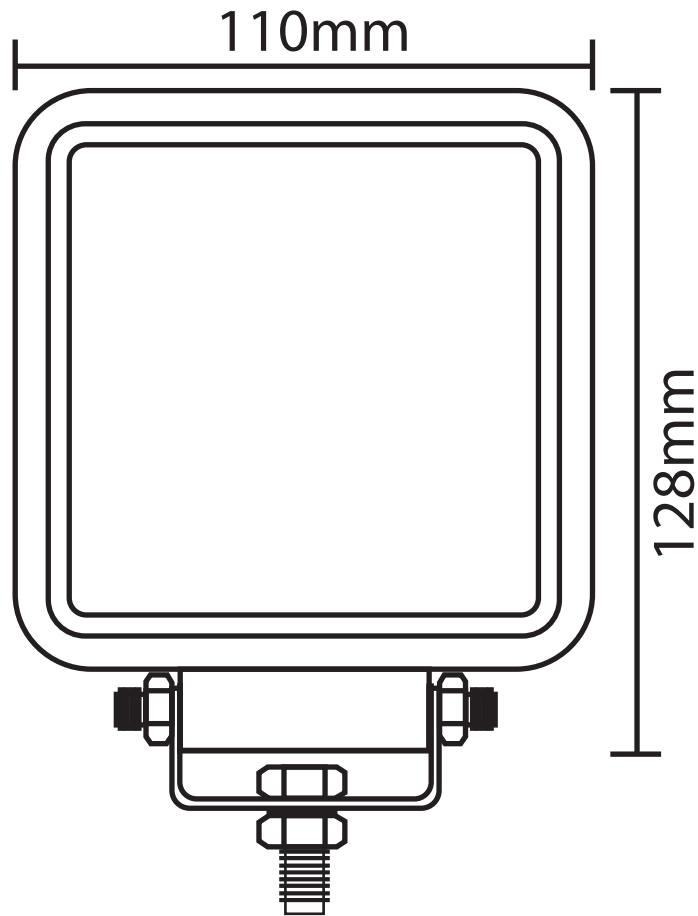


# DESSIN TECHNIQUE / TECHNICAL DRAWING



**J-LITE**  
**OFF-ROAD**  
 1 866 447-5656  
 INFO@JLITE-OFFROAD.COM  
 WWW.JLITE-OFFROAD.COM

**709-633**  
 Off-Road Work lamp LED  
 Lampe de travail hors-route à DEL  
 2022-02-15  
 PROJECTIONS



DIMENSIONS:  
 DIODES  
 LUMENS  
 WATTS  
 AMPS  
 VOLTS  
 SPECIFICATIONS / SPÉCIFICATIONS

4.3" x 5" (110 mm x 128 mm)  
 5 Epistar  
 1200 LM  
 15W  
 1.3A@12V, 0.7A@24V  
 10-30 Vdc  
 Flood (60°)