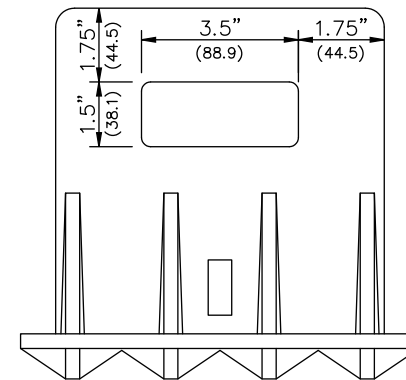
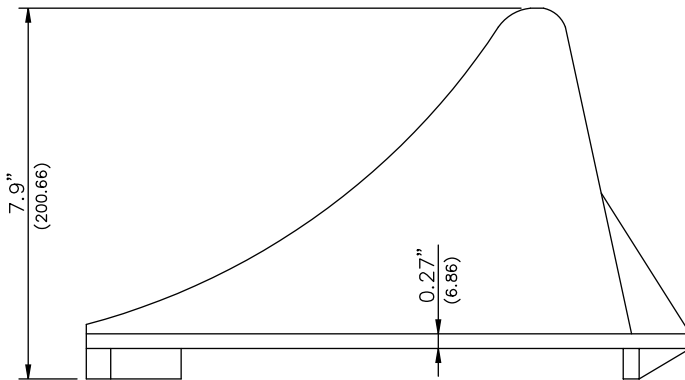
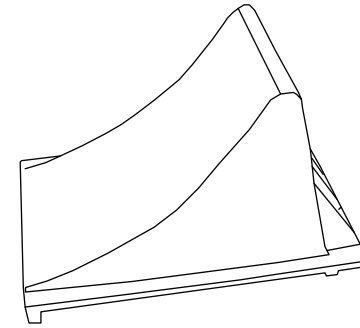
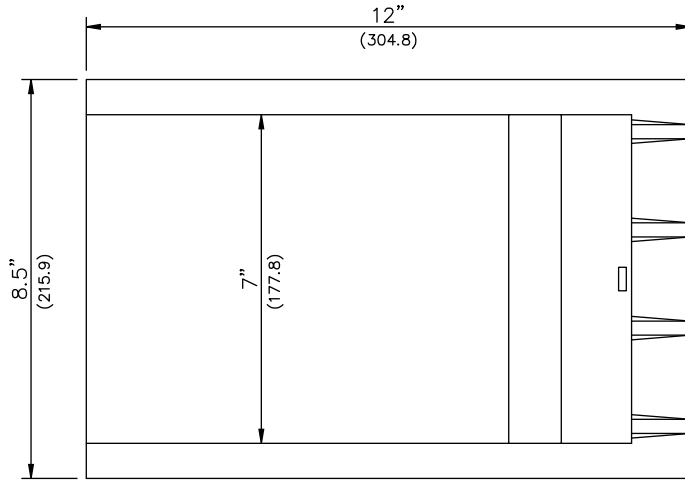


# TECHNICAL DRAWING / DESSIN TECHNIQUE



**JIMEXS**  
**HARDWARE**

1 866 447-5656 / INFO@JIMEXS.COM

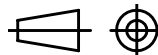
WWW.JIMEXS-HARDWARE.COM

612-521

Cale-roue  
 Wheel Chock

2022-02-08

PROJECTIONS



DIMENSIONS

7-3/4" x 8-1/2" x 12"

MATERIAL / MATÉRIEL

Aluminium

SPECS

NFPA 1901, SAE J348