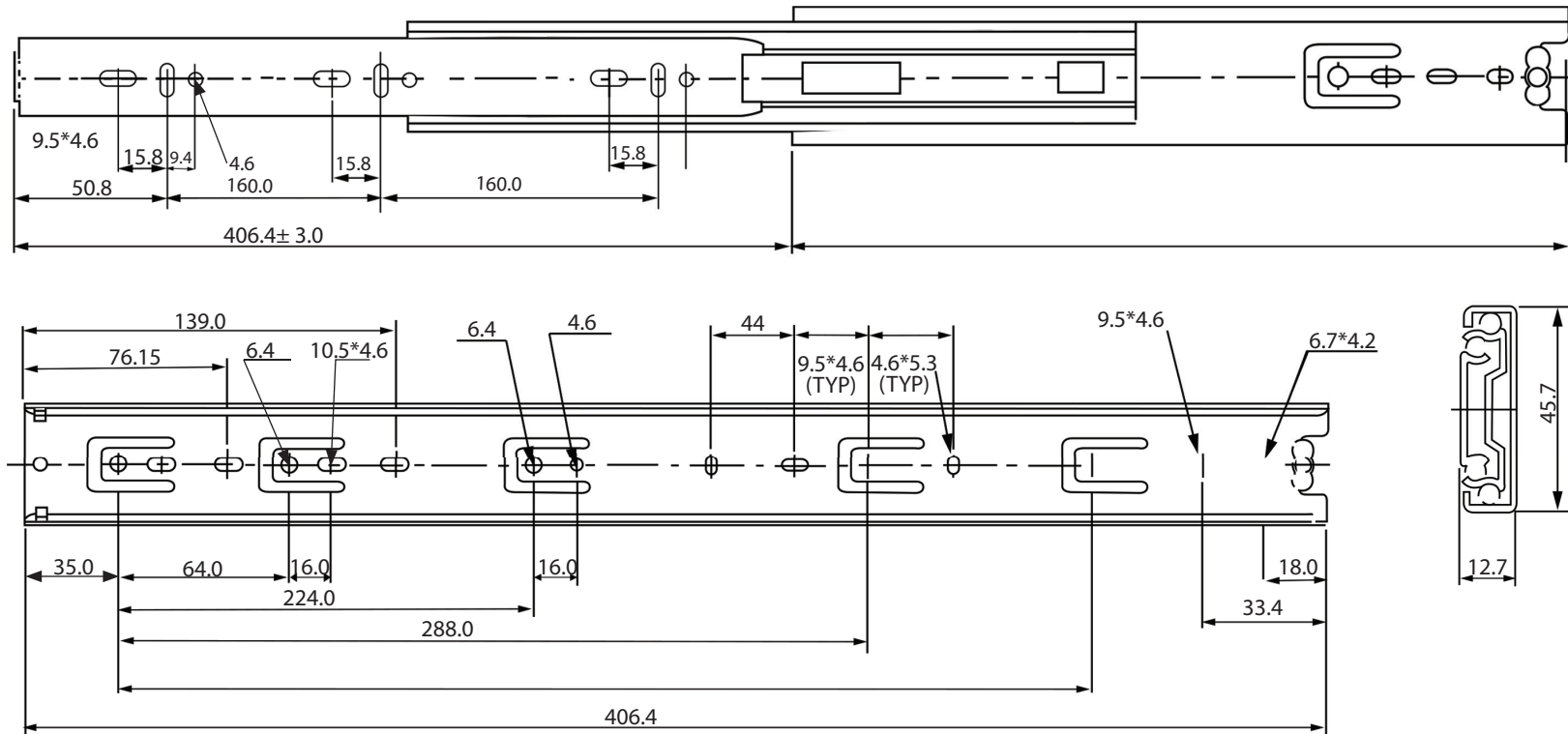


TECHNICAL DRAWING / DESSIN TECHNIQUE



JIMEXS
HARDWARE

1 866 447-5656 / INFO@JIMEXS.COM

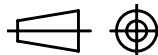
WWW.JIMEXS-HARDWARE.COM

323-116

Drawer Slides - Cap. 100 lbs
 Glissières pour tiroir - 100 lbs

2022-01-06

PROJECTIONS



DIMENSIONS
 MATERIAL/MATÉRIEL

16" x 1.80" x 1/2"
 Steel zinc plated /
 Acier plaqué zinc