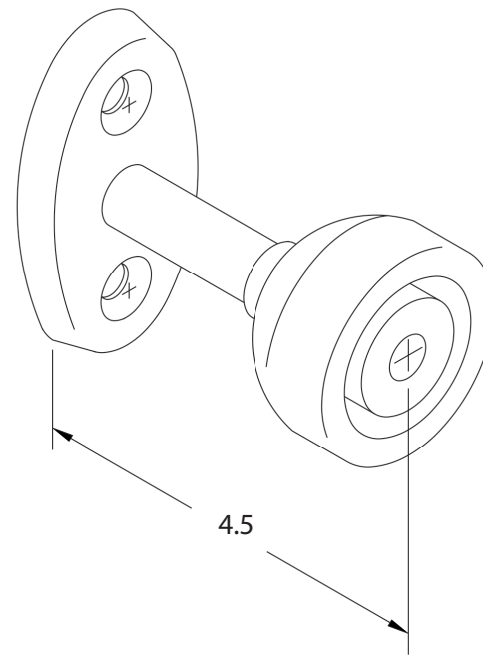
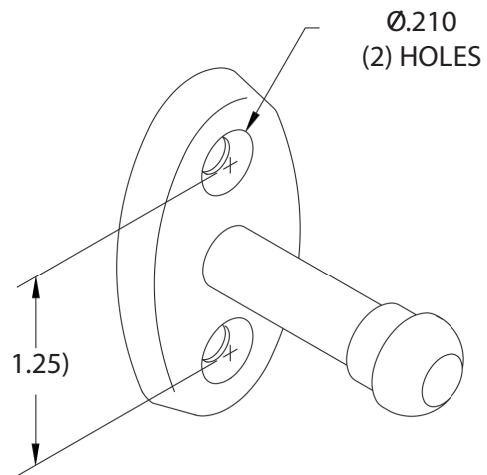


# TECHNICAL DRAWING / DESSIN TECHNIQUE



**JIMEXS**  
**HARDWARE**

1 866 447-5656 / INFO@JIMEXS.COM

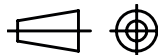
WWW.JIMEXS-HARDWARE.COM

251-236

Door holder  
Arrêt de porte

2022-01-06

PROJECTIONS



DIMENSIONS

MATERIAL/MATÉRIEL

4" L - 1,25" CC ( kit = 4,5")

Stainless steel (304) /

Acier inoxydable (304)