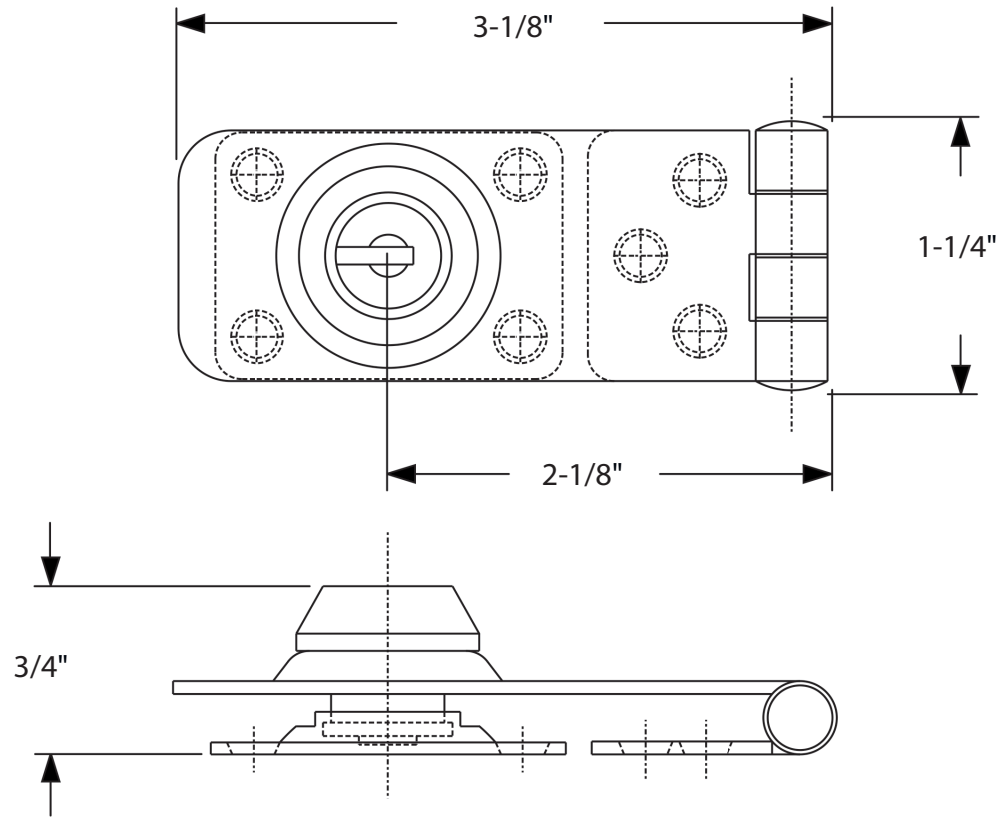


TECHNICAL DRAWING / DESSIN TECHNIQUE



JIMEXS
HARDWARE

1 866 447-5656 / INFO@JIMEXS.COM

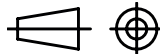
WWW.JIMEXS-HARDWARE.COM

243-521

Locking hasp
Morillon barrable

2022-01-06

PROJECTIONS



DIMENSIONS
MATERIAL/MATÉRIEL

3-1/8" x 1-1/4"
Stainless steel (304)
Acier inoxydable (304)