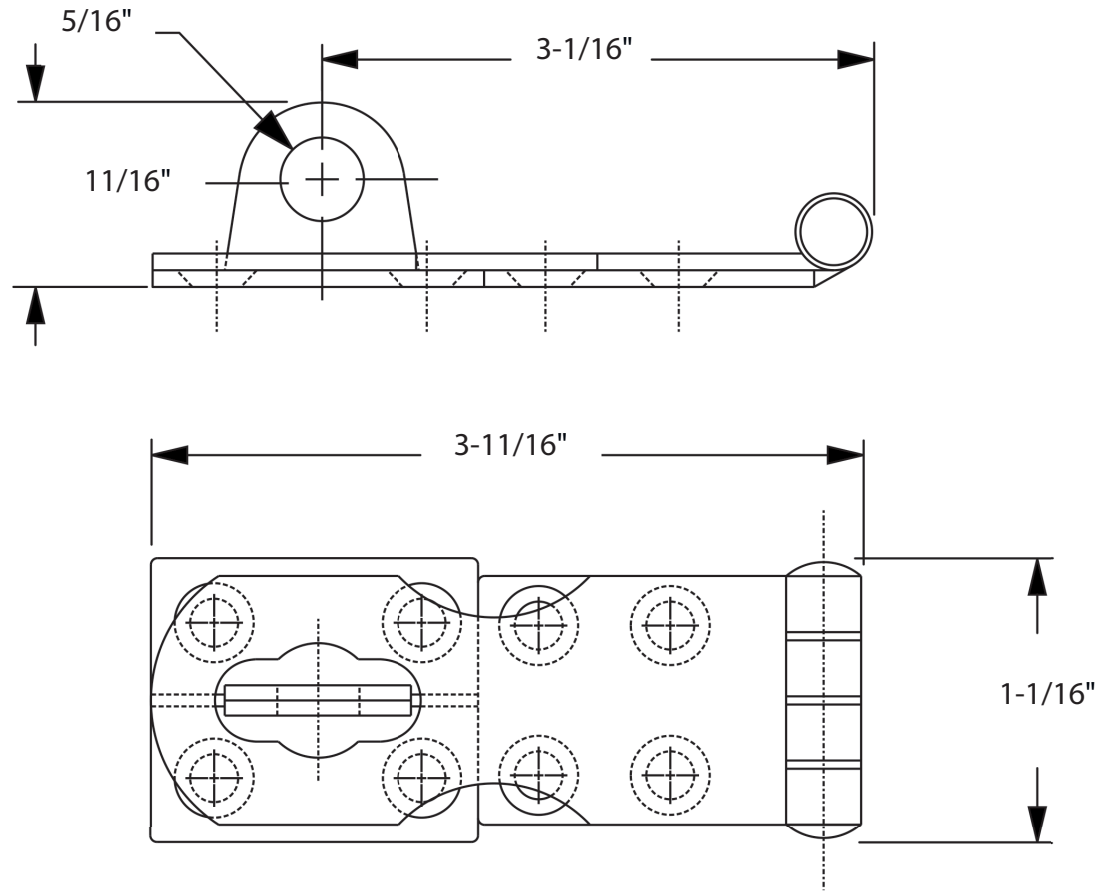


TECHNICAL DRAWING / DESSIN TECHNIQUE



JIMEXS
HARDWARE

1 866 447-5656 / INFO@JIMEXS.COM

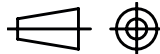
WWW.JIMEXS-HARDWARE.COM

243-511

Hasp
 Moraillon

2022-01-06

PROJECTIONS



DIMENSIONS
 MATERIAL/MATÉRIEL

2-11/16" x 1-1/16"
 Stainless steel (304)
 Acier inoxydable (304)