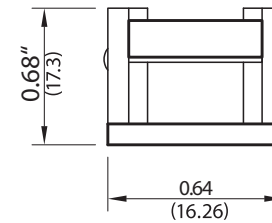
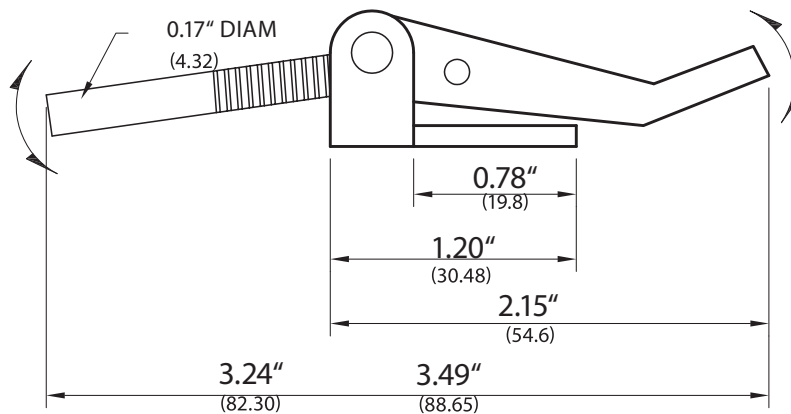
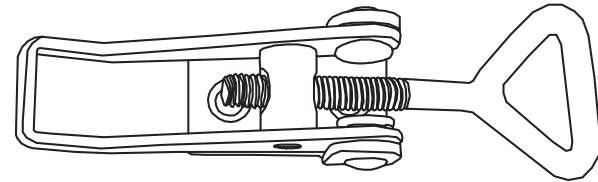
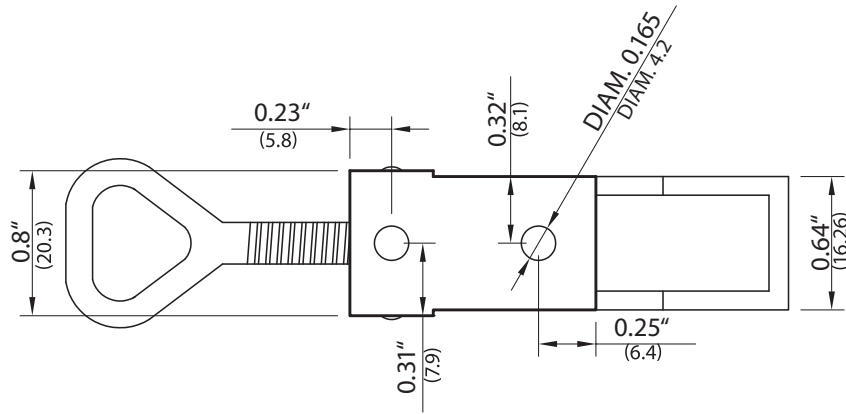


# TECHNICAL DRAWING / DESSIN TECHNIQUE



**JIMEXS**  
**HARDWARE**

1 866 447-5656 / INFO@JIMEXS.COM

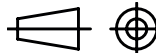
WWW.JIMEXS-HARDWARE.COM

243-111

Adjustable latch - non-locking  
Attache ajustable - non-verrouillable

2022-01-06

PROJECTIONS



DIMENSIONS  
COLOR / COULEUR  
MATERIAL / MATÉRIEL

3,5"  
Black/ noir  
Rubber, zinc plated steel /  
Caoutchouc, Acier plaqué zinc