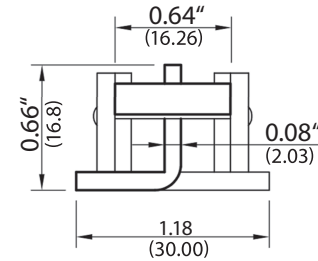
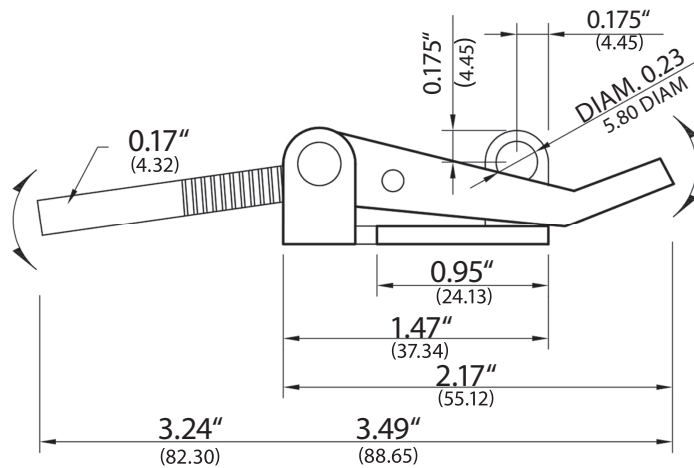
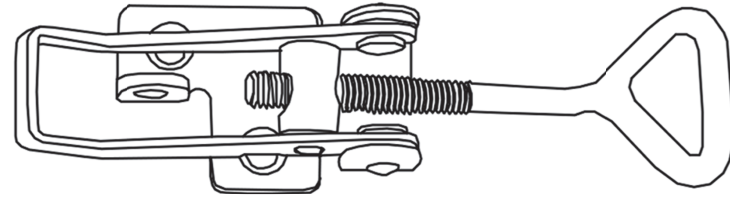
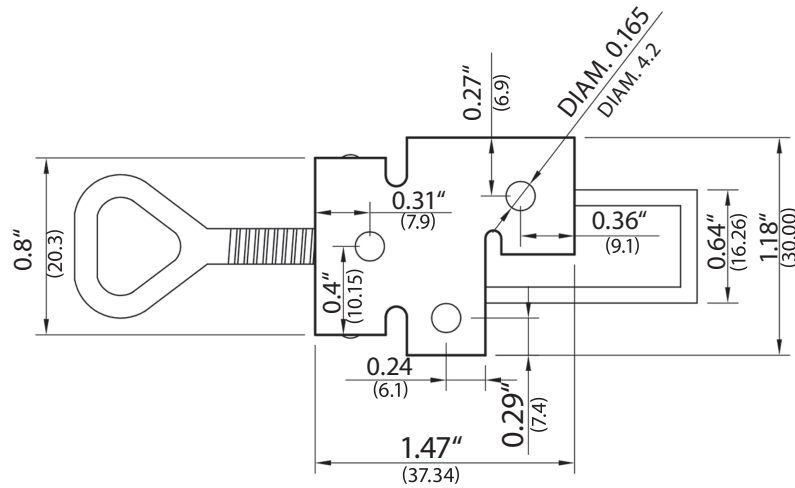


TECHNICAL DRAWING / DESSIN TECHNIQUE



JIMEXS
HARDWARE

1 866 447-5656 / INFO@JIMEXS.COM

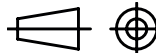
WWW.JIMEXS-HARDWARE.COM

243-106

Adjustable latch locking
Attache ajustable verrouillable

2022-01-06

PROJECTIONS



DIMENSIONS
MATERIAL/MATÉRIEL

3-1/2"
Rubber / Stainless steel (304) /
Caoutchouc / Acier inoxydable (304)