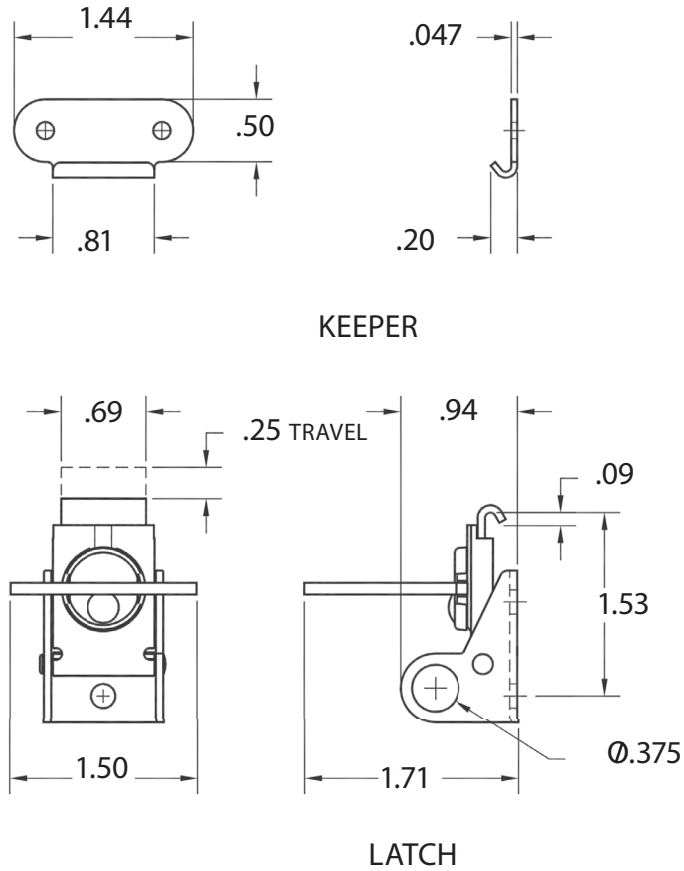


TECHNICAL DRAWING / DESSIN TECHNIQUE



JIMEXS
HARDWARE

1 866 447-5656 / INFO@JIMEXS.COM

WWW.JIMEXS-HARDWARE.COM

241-501

Draw lacht
Loquet à levier

2022-01-06

PROJECTIONS



MATERIAL/MATÉRIEL

Zinc