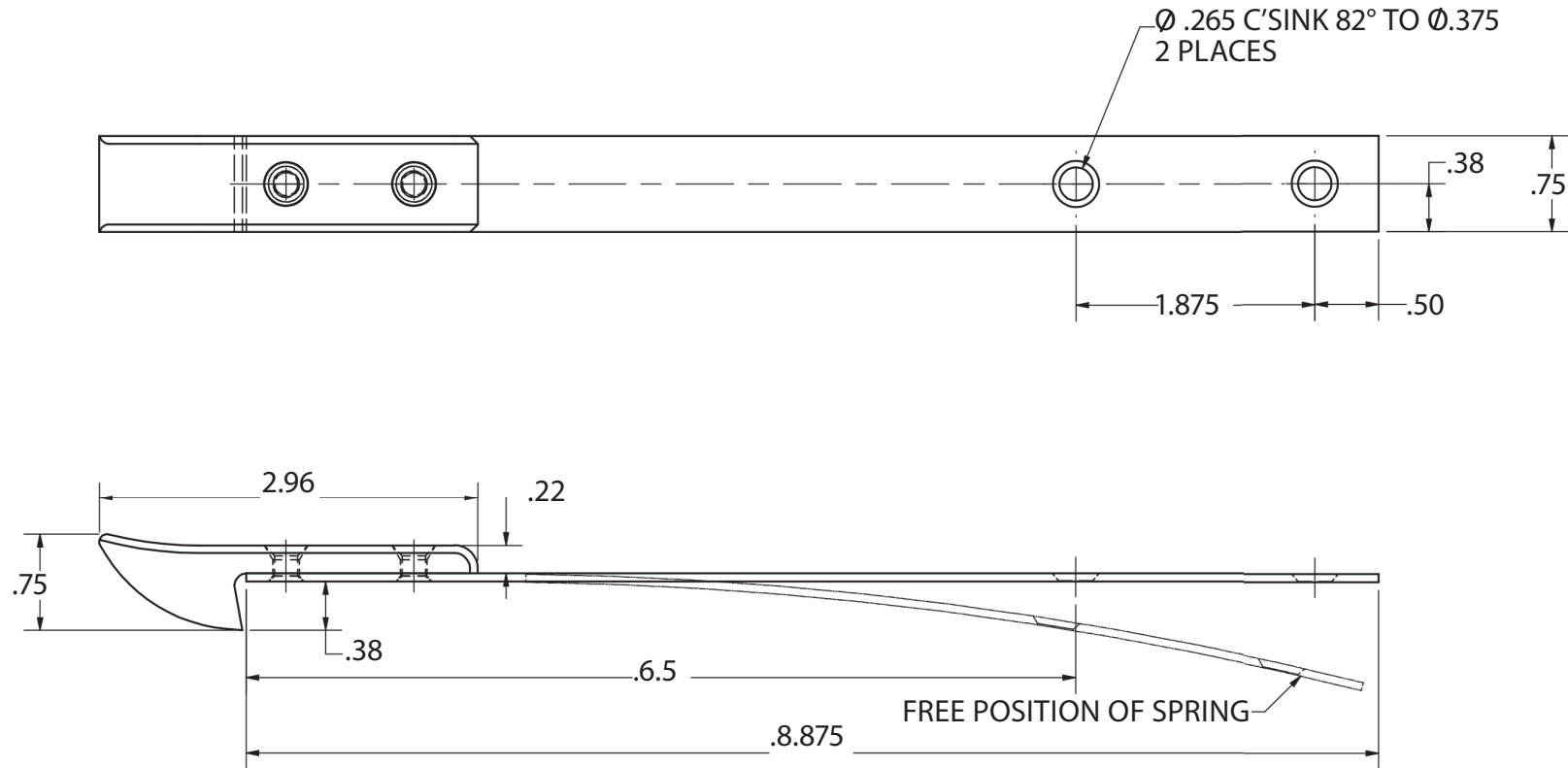


TECHNICAL DRAWING / DESSIN TECHNIQUE



JIMEXS
HARDWARE

1 866 447-5656 / INFO@JIMEXS.COM

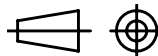
WWW.JIMEXS-HARDWARE.COM

240-501

Thumb latch
Fermeture à ressort

2021-07-05

PROJECTIONS



MATERIAL/MATÉRIEL

Steel zinc plated /
Acier plaqué zinc