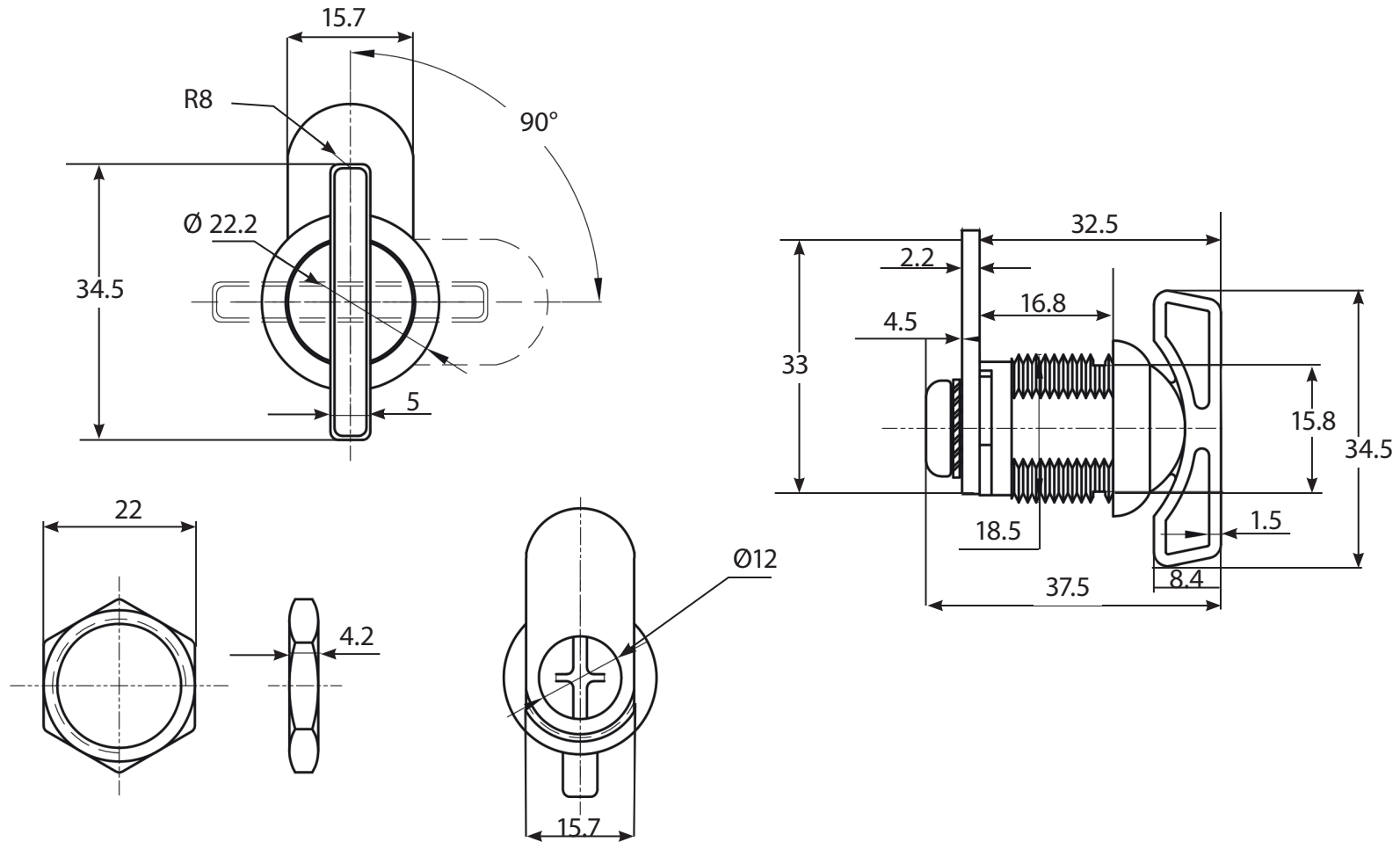


TECHNICAL DRAWING / DESSIN TECHNIQUE



JIMEXS
HARDWARE

1 866 447-5656 / INFO@JIMEXS.COM

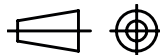
WWW.JIMEXS-HARDWARE.COM

237-131

Cylinder with straight cam - wing type
 Cylindre - type à oreilles

2021-07-05

PROJECTIONS



MATERIAL/MATÉRIEL

Steel zinc plated /
 Acier plaque zinc